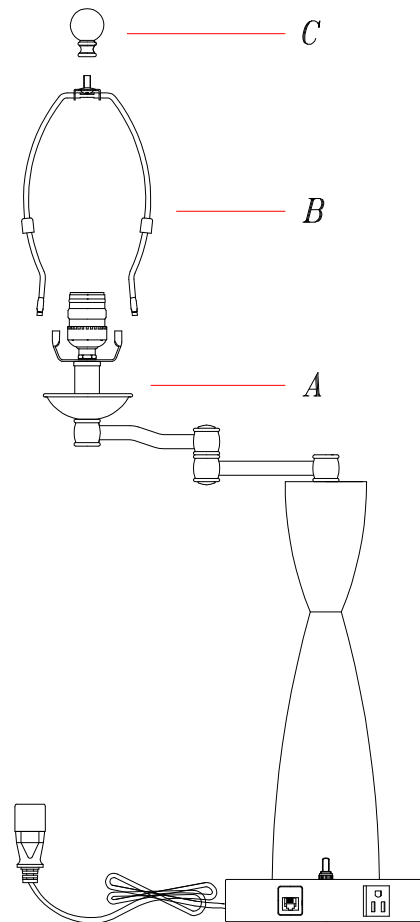


ASSEMBLY INSTRUCTIONS:

ITEM NO.: LA-60006TB-1

1. Carefully unpack and lay out the parts as shown in illustration.
2. Insert the harp (B) to the saddle of socket part (A).
3. Place the shade (not included) onto the harp (B) and screw it tightly by the finial (C). then adjust the shade to be horizontal.
4. Use 100 W (Maximum) TYPE A Bulb (Bulb not included) . Install Bulb into the socket and enjoy your new lamp.



IMPORTANT SAFETY INSTRUCTIONS:

THIS PORTABLE LAMP HAS A POLARIZED PLUG (ONE BLADE IS WIDER THAN THE OTHER) AS A SAFETY FEATURE TO REDUCE THE RISK OF ELECTRIC SHOCK. THIS PLUG WILL FIT IN A POLARIZED OUTLET ONLY ONE WAY. IF IT DOES NOT FIT FULLY IN THE OUTLET, REVERSE THE PLUG. IF IT STILL DOES NOT FIT, CONTACT A QUALIFIED ELECTRICIAN. NEVER USE WITH AN EXTENSION CORD UNLESS THE PLUG CAN BE FULLY AND EASILY INSERTED. DO NOT ATTEMPT TO ALTER THE PLUG.

SAVE THESE INSTRUCTIONS FOR FUTURE REFERENCE.

325629B-1