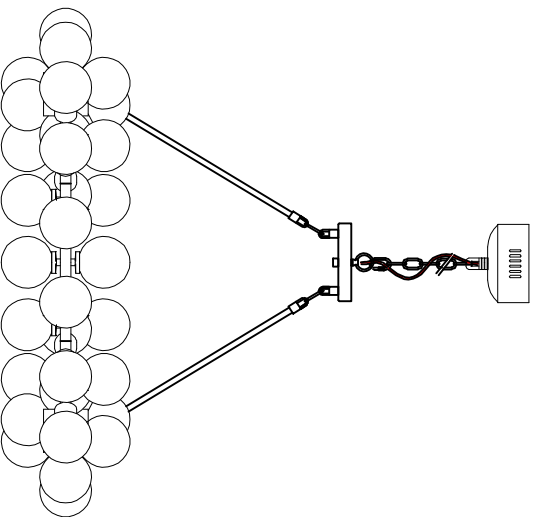


Trade Mark:
CRYSTAL WORLD INC

Product Name: Pendant lamp
Model : 1020P39-45-602
120Vac, 60Hz, AC ONLY
Lamp Size: \varnothing 39"×H27"



PENDANT LAMP ASSEMBLY INSTRUCTIONS

1. Install bulb(s) (NOT INCLUDED), USE 120V GALED  45"2W Max.

