



# CAL LIGHTING

3625 E. Philadelphia St. Ontario CA. 91761 • Tel: 909.947.5200 • Fax:  
909.947.5673 • www.calighting.com • service@calighting.com •  
Specifications subject to change without notice

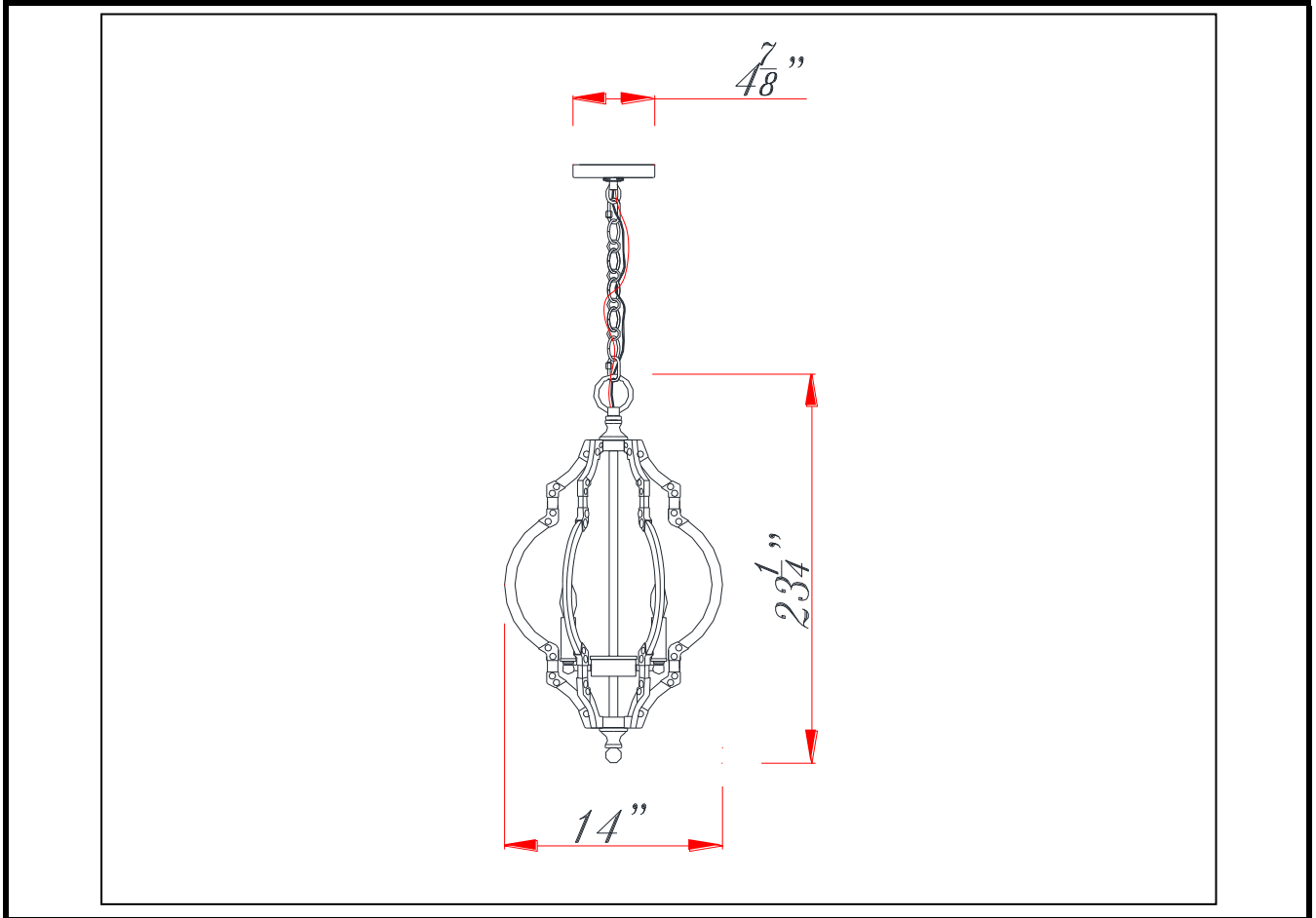
Type: \_\_\_\_\_

Project: \_\_\_\_\_

Catalog No.: \_\_\_\_\_

Lamp/Wattage: \_\_\_\_\_

Drawing:



- Model No:** FX-3593-3
- Description:** 40W x 3 Howell metal pendant/chandelier
- Material:** Metal
- Finish :** Iron/Antiqued gold
- Height:** 23 1/4"
- Width:** 14"
- Wattage :** 40WX3
- Socket :** Small Base ( E12 )
- Bulb:** Incandescent
- Chain Length:** 6'
- Wire Length:** 10'
- Wire Color:** brown
- Shade No:**
- Material:**
- Shade size:**

Certificate : 