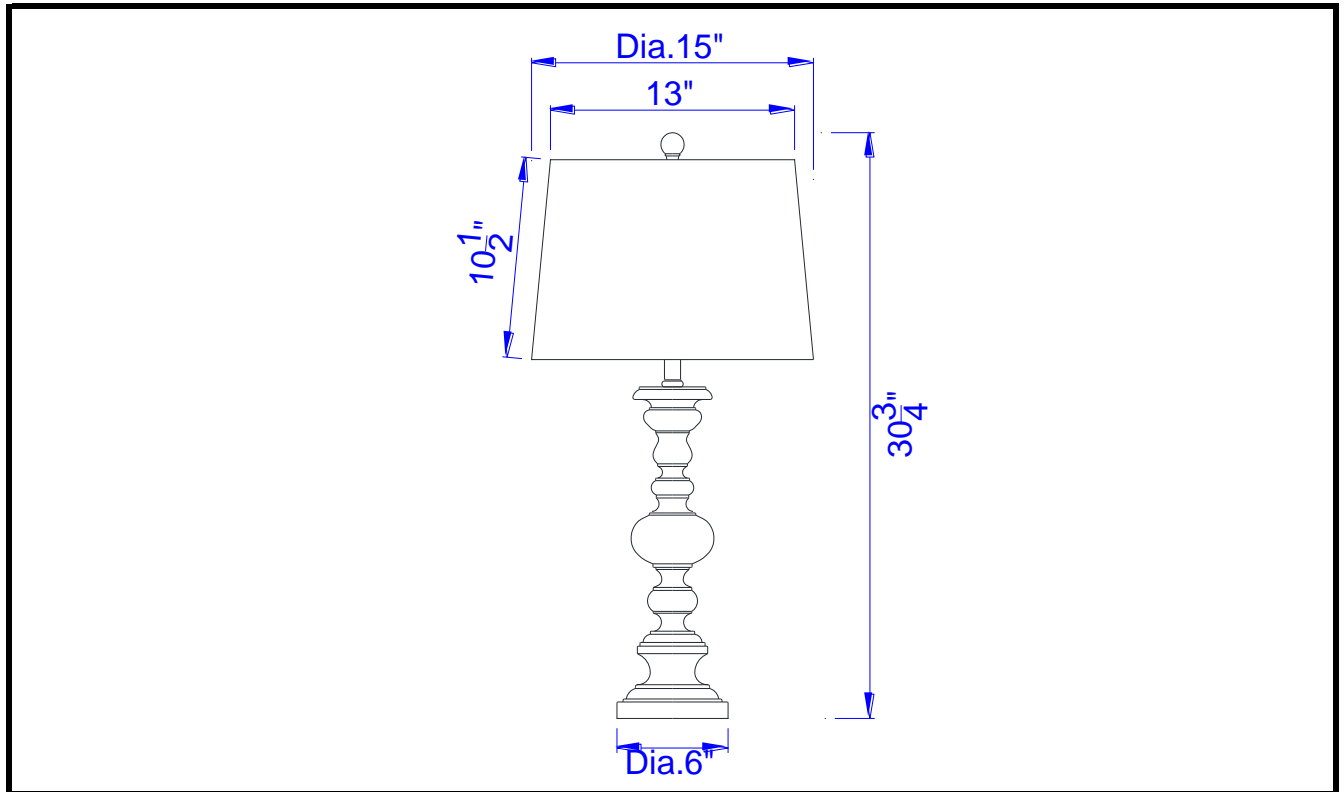





# CAL LIGHTING

3625 E. Philadelphia St. Ontario CA. 91761 • Tel: 909.947.5200 • Fax:  
909.947.5673 • www.calighting.com • service@calighting.com •  
Specifications subject to change without notice

Type: \_\_\_\_\_  
Project: \_\_\_\_\_  
Catalog No.: \_\_\_\_\_  
Lamp/Wattage: \_\_\_\_\_



- Model No:** BO-2709TB-2  
**Description:** 150W 3 way Walham resin table lamp. Sold and Priced in pairs  
**Material:** Resin  
**Finish :** Antique Ivory Crackle  
**Height:** 31"  
**Reach:** 15"  
**Base Width:** Dia.6"  
**Wattage :** 150W  
**Socket :** Medium Base (E26)  
**Switch:** 3-Way  
**Bulb:** Incandescent, CFL  
**Wire Length:** 6'  
**Wire Color:** Brown  
**Shade No:**  
**Material:** Fabric  
**Shade size:** 13"x15"x10 1/2"  
**Certificate :** c  US