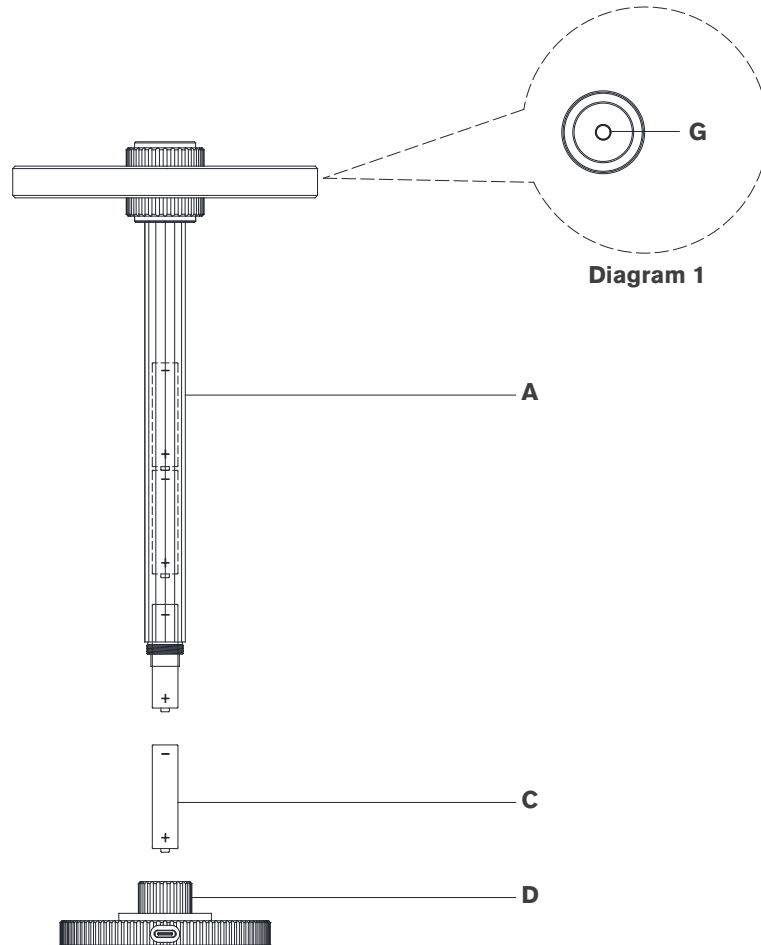


ASSEMBLY INSTRUCTIONS



Aran 9" Rechargeable Accent Lamp

Item # S3150

NOTICE:

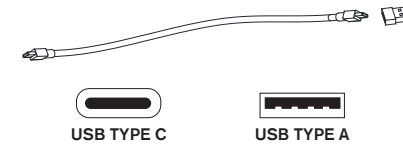
This light fixture should be installed in accordance with all applicable, local installation codes, and by a person familiar with the construction and operation of it, as well as the hazards involved. Inspect item and contents carefully. If any damage or defect is found, do not install. Retain all packaging material until installation is complete and approved.

1. Carefully remove all parts from the box. Place on a clean, soft surface.
2. Insert batteries (C) into fixture (A) as shown on drawing, then thread fixture (A) to base (D).
3. For best results fully charge battery before use.
4. Test the lamp.

Dimmer switch operation: Touch dimmer (G) to adjust between high, medium, low and off settings.

Charging Instructions: Charge lamp using provided USB-C cord. Plug located at base (D).

NOTE: For convenience, USB-C to USB-A adapter is included.



Care Instructions: Clean only with a soft dry cloth or feather duster. Do not use abrasive or chemical agents.