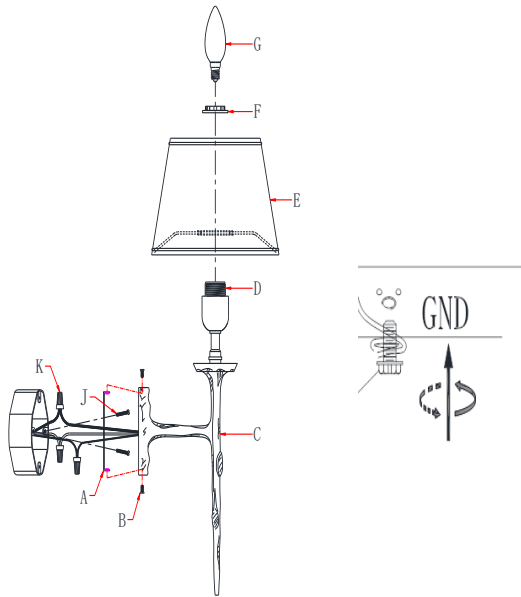


ASSEMBLY INSTRUCTIONS

ITEM DESCRIPTION:

ITEM NO.: 49701-362	NAME: Franz Sconce
MATERIAL TYPE: Brass	FINISH: Matte Brass
SOCKET TYPE: E26	SOCKET QTY: 1
BULB WATTAGE: 60 W/16W CFL/13W LED	
VOLTAGE: 110-120 V	ITEM NET WEIGHT: 4LBS



TO ASSEMBLE:

1. Shut off the main electrical supply from the main fuse box/circuit breaker.
2. Separate the mounting plate (A) from the canopy by removing the two canopy screws (B).
3. Insert the J-box wires through the center opening of the mounting plate.
4. Attach the mounting plate onto the wall J-box.
5. Secure the mounting plate by turning the two mounting screws (J).
6. Connect the ground fixture wire to the ground J-box wire using the plastic wire nut connector (K) and wrap the connection with electrical tape. Be sure that no wire strands are exposed.
7. If the junction box does not have a ground wire, wrap the fixture's base ground wire around the green ground screw and insert the screw into the mounting plate (A), marked as "GND," and tighten the screw to secure the wire.
8. Connect the neutral fixture wire to the neutral J-box wire first and then connect the hot fixture wire to the hot J-box wire using the plastic wire nut connectors (K). Wrap these connections with electrical tape. Be sure that no wire strands are exposed.
9. Check the wiring connections and if all looks good, gently tuck the wire connections neatly into the ceiling junction box.
10. Position the canopy over the mounting plate (A), secure the canopy by tightening two canopy screws (B).
11. Attach the shade (E) onto the socket (D) and then twist the socket ring (F) tightly. Insert the specified light bulbs into the socket (D).

PARTS INCLUDED:

Mounting Plate (A)	Qty: 1	Shade (E)	Qty: 1
Canopy Screws (B)	Qty: 2	Socket Ring (F)	Qty: 1
Lamp Body (C)	Qty: 1	Bulb (G)	Qty: 1
Socket (D)	Qty: 1		Qty:

HARDWARE INCLUDED:

Mounting Screws (J)

Plastic Wire Connectors (K)

TOOLS NEEDED (Not Included):

1 Screwdriver

These instructions are provided for safety. It is very important that are read carefully and completely before beginning installation.

We strongly suggest that all hard-wired fixtures must be installed by a professional electrician.

CARE INSTRUCTIONS:

Wipe with a soft, dry cloth. To protect finish, avoid the use of chemicals and household cleaners.

For customer service questions call 1-800-338-2150

ARTERIOS