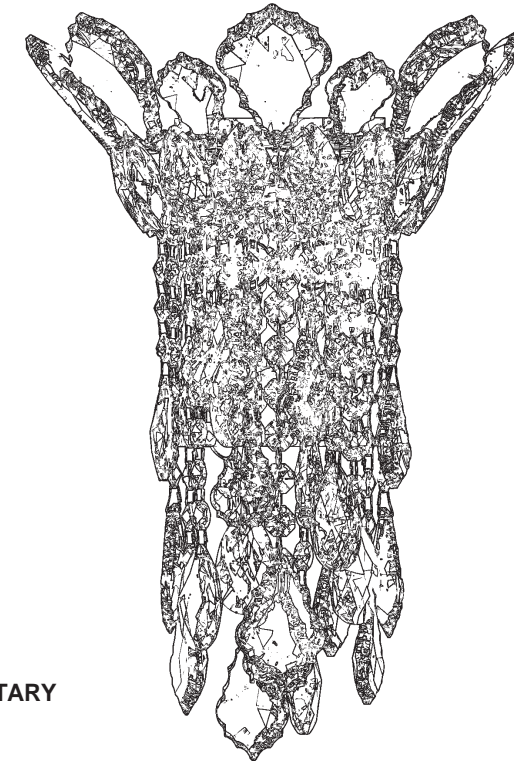




SCHONBEK®

**TRILLIANE STRANDS
TR0832N- __ __H**



THIS DESIGN IS THE PROPRIETARY
TRADE DRESS/TRADE MARK OF
SWAROVSKI LIGHTING, LTD.

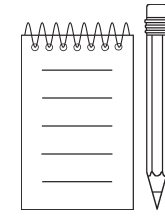
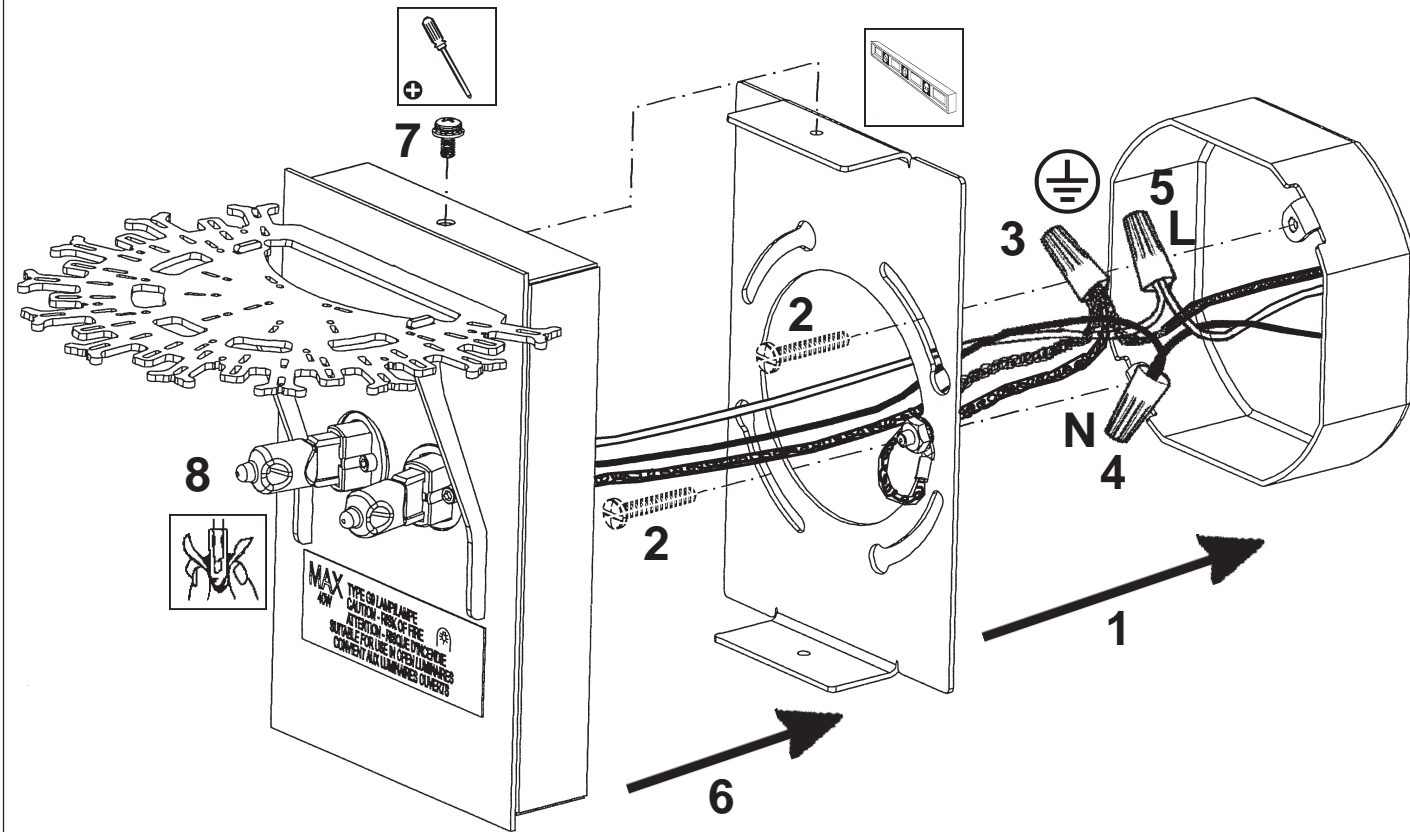
2 Lights
Length: 10"
Height: 13-1/2"
Extension: 7-1/2"
Hanging Weight: 5 lbs.

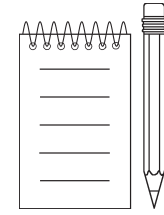
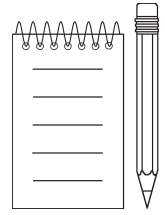


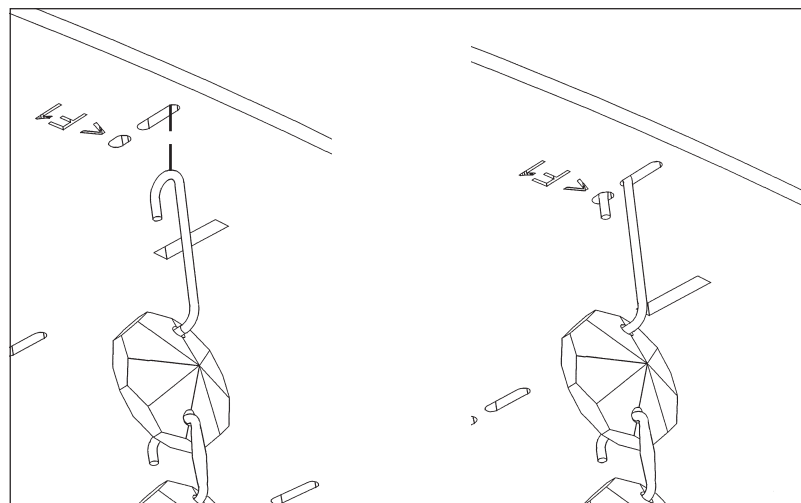
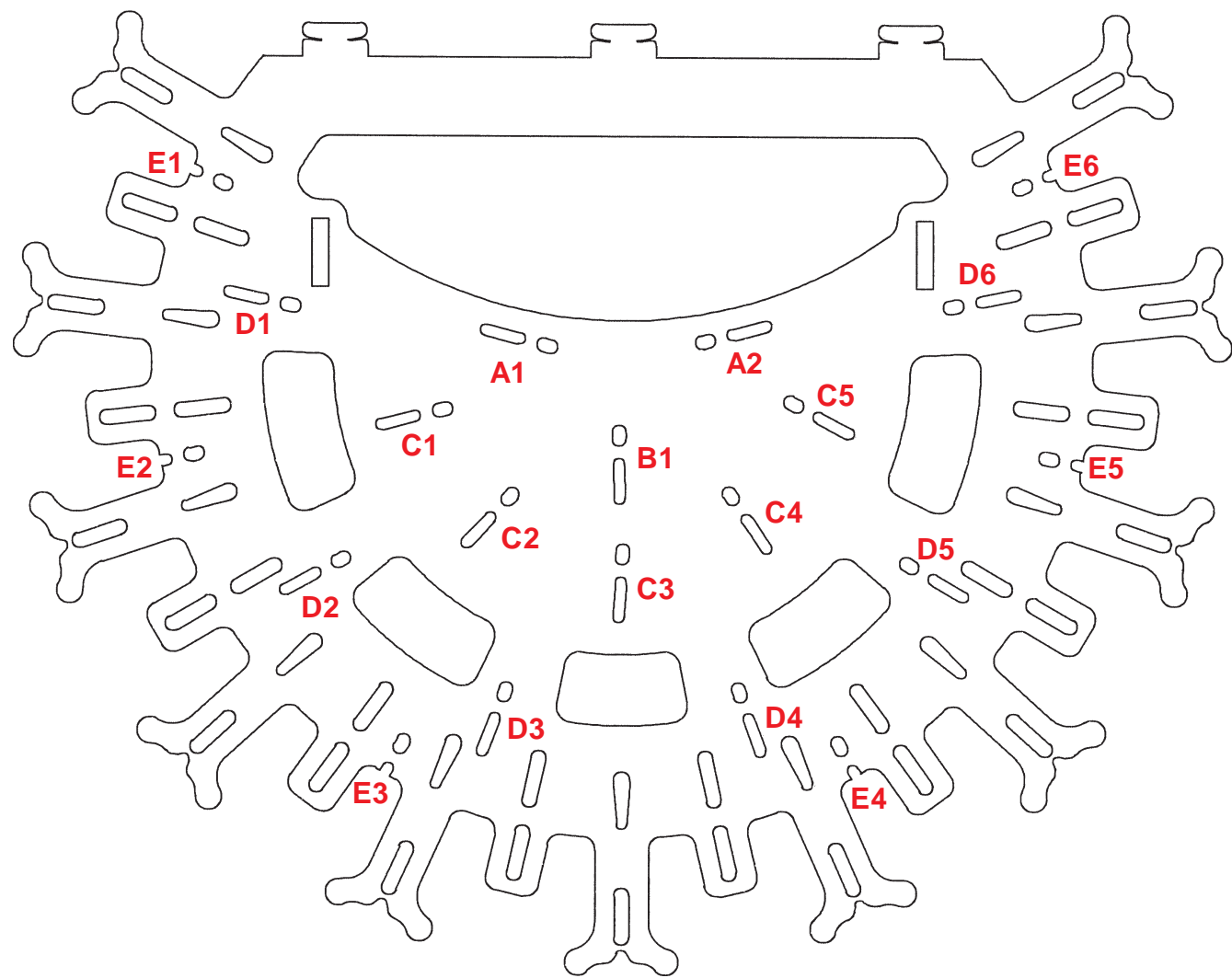
SCHONBEK®

MAX <u>40</u> W		110-120 V						

2 X  : G9 40W MAX 







- | | |
|-----------|---------|
| 9 | A1 - A2 |
| 10 | B1 |
| 11 | C1 - C5 |
| 12 | D1 - D6 |
| 13 | E1 - E6 |

After hanging all trim, remove labels from crystals. If residue remains, wipe off crystal with a soft, dry cloth.

