

# Line Voltage Remodel Housings

**IMPORTANT:** Please read before installation

This equipment is intended to be installed only by qualified personnel. The installation must be made in accordance with the current edition of the National Electrical Code and all applicable state and local building codes. The final installation must be approved by the appropriate, qualified electrical/building inspector(s). Improper installation may result in a fire or electrical hazard. Be sure the electrical power to the circuit has been disconnected before installing this electrical system. Note: Insulation must be kept a minimum of 3" from all surfaces of lighting fixture.

Most dwellings built before 1985 have supply wire rated 60° C (thermal cutoffs in fixtures operate at 90°C); consult a qualified electrician prior to installation. If supply wires are located within three inches of ballast, use wire rated for atleast 90°.

A qualified electrician can replace this ballast without cutting wires. Contact technical support at 1800-686-6672 for additional details.

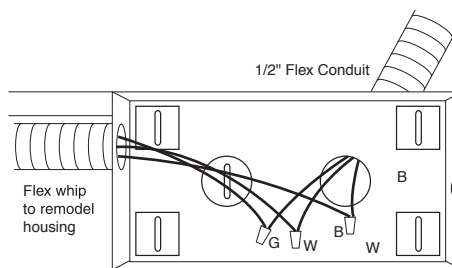
**ELECTRICAL CONNECTION**

- 1) Cut out aperture into existing sheet rock ceiling.
- 2) Pull conduit with line voltage, neutral, and ground leads through opening.
- 3) Remove junction box door.
- 4) Remove pryout for 1/2" or 3/4" conduit.
- 5) Affix conduit or junction box using appropriate connector (not included). If using Romex, simple push past cable lock - no additional connector is required.
- 6) Connect wiring from power source to fixture wiring:  
 Black - Black/Red; White - White; Green - Bare Copper/Green  
 Use standard connectors (not included).
- 7) Feed-through wiring: Other conduit paths may connect to junction box utilizing the other outlets on the junction box. Use the additional knockouts to pull through 12AWG wire, noted above. Note: wiring and connections must conform to National Electric Code and all local or municipal code requirements.
- 8) Snap junction box door into place.

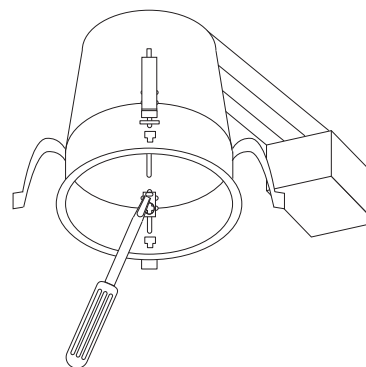
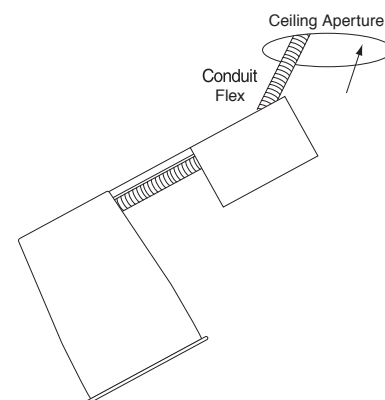
**NOTE ON GROUNDING:** Many structures carry grounding via steel conduit. If this is the case, if there is no grounding wire, simply leave green wire on fixture attached. Fixture will be grounded through attachment of conduit to junction box. However, if Romex or PVC conduit is used, ground wire will always be present, and must be connected to green wire on fixture junction box to avoid electrical shock hazard.

**FIXTURE MOUNTING**

- 1) To install fixture, simply Insert into ceiling opening, starting with the transformer, finally pushing housing straight up into place.
- 2) Push ceiling springs out of fixture until flat surface of spring is flush with interior of housing.
- 3) Using a screwdriver, force the small tab at the top of the spring up and as tightly as possible against the housing wall to lock fixture into place.



B	black	120V
W	white	neutral
G	green	ground



INSTALLATION SHOULD BE CARRIED OUT BY YOUR LOCAL ELECTRICIAN.