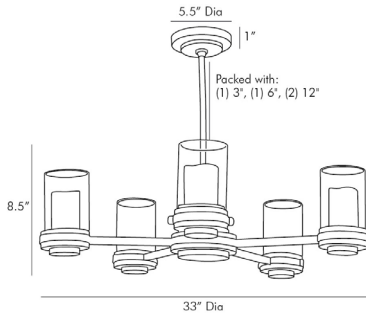


# ARTERIOS

## SUMTER CANDLE CHANDELIER

BETH WEBB



DW82003

H: 10.5 IN, Dia: 33.00 IN

Bronze, Natural Wood, Clear Glass

Contract Suitable As Is

The five arm Sumter Candle Chandelier is elemental and graphic in shape mingling natural wood clear glass cylinders iron arms and wood-inset details. The pared down silhouette is aesthetically versatile and could reside in a country farmhouse or an urban minimal apartment. Ivory resin candle sleeves lends a certain romanticism to the piece. Damp-rated, although limited covered outdoor conditions may affect finish.

### APPEARANCE

Material	Glass, Iron, Wood
Finish	Bronze, Clear, Natural
Finish Will Vary	true
Top Coat/Sealant	false

### DIMENSIONS

Chandelier	H: 8.5 IN, Dia: 33.00 IN
Minimum Hanging Height	10.5 IN
Maximum Hanging Height	37.5 IN
Canopy	H: 1 IN, Dia: 5.50 IN

### WIRING

Rating	Damp
Cord	10 FT, Black, SVT
Socket	5, Type B - E12
Maximum Watt	25
Voltage	110-120 V

### CERTIFICATIONS

Certifications	Mexico European Union, United Arab Emirates, United States, Canada
----------------	---

### COMPLIANCY

UL/ETL	Yes
CB	Yes
RoHS	true

### SHIPPING

Product Weight	20.5 LBS
Gross Weight 1	37.7 LBS
Gross Weight 2	7 LBS
Shipping Box 1	H: 35.5 IN, L: 35.6 IN, W: 13 IN
Shipping Box 2	H: 21.1 IN, L: 22.9 IN, W: 7.9 IN

### REPLACEMENT PARTS

Replacement Part 1	PIPE-456
Replacement Part 1 Dim	(1) 3", (1) 6", (1) 12"
Replacement Part 2	CANOPY-465
Replacement Part 2 Dim	(1) 3", (1) 6", (2) 12"

### CONTRACT

Contract Suitable	true
-------------------	------