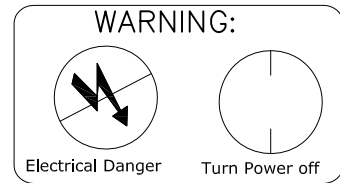
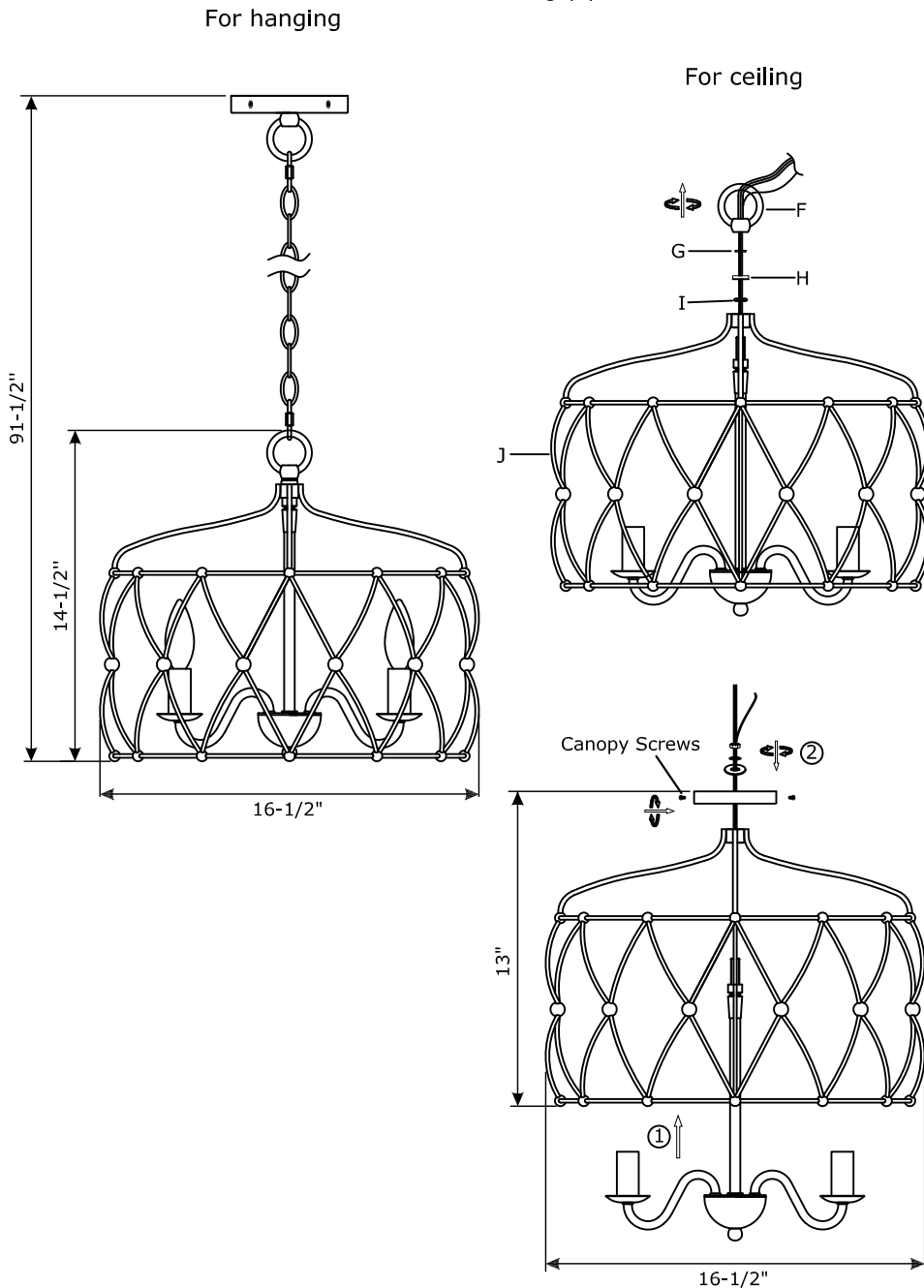


CRYSTORAMA

LIGHTING THE WAY FOR SIXTY YEARS

ASSEMBLY INSTRUCTION MODEL #ZUC-A9030-EB-GA

Drawing (1)



All electrical components must be installed by a licensed electrician in accordance with the National Electric Code and the appropriate local electrical codes.



You will need 4-Candelabra
40 Watts Recommended 60 Watts Max.
USE LED BULBS FOR EXTENDED USE
THIS FIXTURE IS DRY RATED

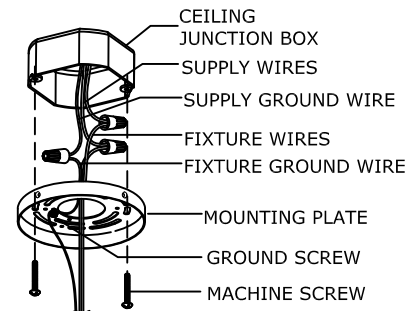
How to install for hanging:

1. Screw the Fixture Loop onto the Frame.
2. The canopy of the fixture can now be mounted to the ceiling by following instruction **Drawing 2**.
3. Install the Bulb(not included) into the Socket.

How to install for Ceiling

1. Remove the fixture loop, knurled nut, check ring and hex nut, in that order, from the top of frame.
2. Remove the Loop from the canopy and raise the light cluster up. Place the canopy over the top of the light cluster, then secure it with the hex nut.
3. The canopy of the fixture can now be mounted to the ceiling by following instruction **Drawing 2**.

Drawing (2)



⚠ WARNING: This product can expose you to Lead which is known to the state of California to cause cancer and/or birth defects or reproductive harm. For more information go to www.P65Warnings.ca.gov

CRYSTORAMA

LIGHTING THE WAY FOR SIXTY YEARS

ASSEMBLY INSTRUCTION MODEL #ZUC-A9030-EB-GA

Part Number

Part Numbers

- A. (1)-Mounting hardware
- B. (1)-Canopy W5"x H3/4"(XFW9030EBGACAN5IN)
- C. (3)-Canopy Screw
- D. (2)-Link
- E. (1)-Chain W4.2mm (XFW9030EBGACHA4.2MM)
- F. (1)-Loop
- G. (1)-Knurled nut
- H. (1)-Check ring
- I. (1)-Hex nut
- J. (1)-Frame
- K. (1)-Fixture loop
- L. (1)- Finial (XFW9030EBGAFIN)

