

**Description:**

Apogee Collection 15" LED Semi-Flush/Convertible

**Specifications:**

- Etched Glass Shade
- Dimmable to 10% brightness (See Dimming Notes)
- Canopy covers a standard 4" recessed outlet box: 5.5 in W., 1 in ht., 5.5 in depth
- Mounting strap for outlet box included
- 180 in of wire supplied
- 1 EA 6 feet 9 Gauge

**Performance:**

|                        |                                    |
|------------------------|------------------------------------|
| Number of Modules      | 1                                  |
| Input Power            | 27.8 W                             |
| Input Voltage          | 120-277 VAC                        |
| Input Frequency        | 60 Hz                              |
| Lumens/LPW (Delivered) | 1,855/66.7 (LM-79)                 |
| CCT                    | 3000 K                             |
| CRI                    | 90 CRI                             |
| Life (hours)           | 58000 (L70/TM-21)                  |
| EMI/RFI                | FCC Title 47, Part 15, Class A     |
| Max. Operating Temp    | 30°C                               |
| Warranty               | 5-year Limited Warranty            |
| Labels                 | cETLus Damp Location Listed        |
|                        | Meets California Title 24 JA8-2016 |

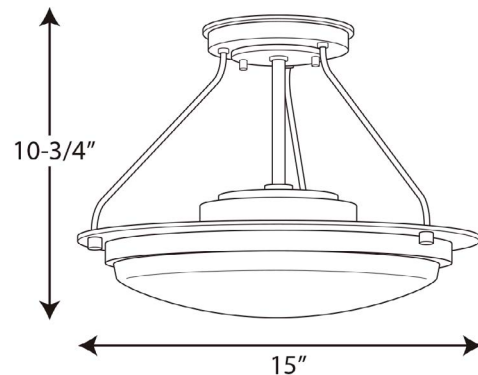
**P350064-129-30**



**Dimensions:**

Diameter: 15 in  
 Height: 10-3/4 in  
 Overall Ht. W/Chain: 85-1/4 in

Etched Glass Shade  
 Width: 12-3/4 in  
 Height: 2-1/8 in

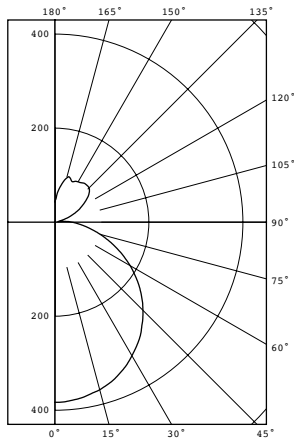


# P350064-129-30

**Photometrics:**

|   |                                |
|---|--------------------------------|
| <b>ELECTRICAL DATA</b>                              | <b>P350064-129-30</b>          |
| Input Voltage                                       | 120-277 VAC                    |
| Input Frequency                                     | 60 Hz                          |
| Input Current                                       | 0.232 A                        |
| Power Factor  | ≥0.90                          |
| THD   | <20%                           |
| EMI/RFI   | FCC Title 47, Part 15, Class A |
| Operating Temperature                               | -30 °C                         |
| Dimming   | Yes*                           |
| Over-voltage, over-current, short-circuit protected |                                |
| *See Dimming Notes for more information             |                                |

**P350064-129-30**  
 LED Light Engine: 3000 K 90 CRI  
 System Wattage: 27.8  
 Fixture delivered lumens: 1855  
 Fixture Efficacy: 66.7  
 Spacing Criteria: 0.232



**CANDELA DISTRIBUTION**

| DEG | CANDELA | LUMENS |
|-----|---------|--------|
| 0   | 383     |        |
| 5   | 381     | 36     |
| 15  | 369     | 104    |
| 25  | 345     | 159    |
| 35  | 310     | 194    |
| 45  | 265     | 205    |
| 55  | 213     | 191    |
| 65  | 156     | 154    |
| 75  | 100     | 106    |
| 85  | 54      | 60     |
| 90  | 36      |        |
| 95  | 18      | 21     |
| 105 | 15      | 17     |
| 115 | 49      | 48     |
| 125 | 81      | 72     |
| 135 | 103     | 79     |
| 145 | 102     | 64     |
| 155 | 95      | 45     |
| 165 | 97      | 27     |
| 175 | 62      | 6      |
| 180 | 43      |        |

**ZONAL LUMEN SUMMARY**

| ZONE   | LUMENS | %FIXT |
|--------|--------|-------|
| 0-30   | 299    | 18.8  |
| 0-40   | 493    | 31.1  |
| 0-60   | 888    | 55.9  |
| 0-90   | 1208   | 76.1  |
| 90-120 | 87     | 5.5   |
| 90-130 | 159    | 10.0  |
| 90-150 | 302    | 19.0  |
| 90-180 | 380    | 23.9  |
| 0-180  | 1588   | 100.0 |

Test 17.01352 Test Date 08/09/16

# P350064-129-30

## Dimming Notes:

---

P350064-129-30 is designed to be compatible with many 0-10V controls.

The following is a partial list of known compatible dimmer controls.

## Dimming Controls:

---

Lutron\_NFTV

Lutron\_NTFTV

Lutron\_DTV

Leviton\_AWSMT-7DW

Leviton\_IP710

Lithonia\_ISD BC

Pass & Seymour\_CD4FB

Wattstopper\_ADF-120277

Hunt Dimming\_PS-010-120V

Hunt Dimming\_PS010 277V

Lightolier Controls\_MP1500FAM120

Lightolier Controls\_ZP600FAM120

Synergy Lighting Controls\_V2000FAMU

Dimming capabilities will vary depending on the dimmer control, load, and circuit installation.

Always refer to dimmer manufacturer instructions or a controls specialist for specific requirements.

Dimmer control brand names where identified above are trade names or registered trademarks of each respective company.