



CAL LIGHTING

3625 E. Philadelphia St. Ontario CA. 91761 • Tel: 909.947.5200 • Fax:
909.947.5673 • www.calighting.com • service@calighting.com •
Specifications subject to change without notice

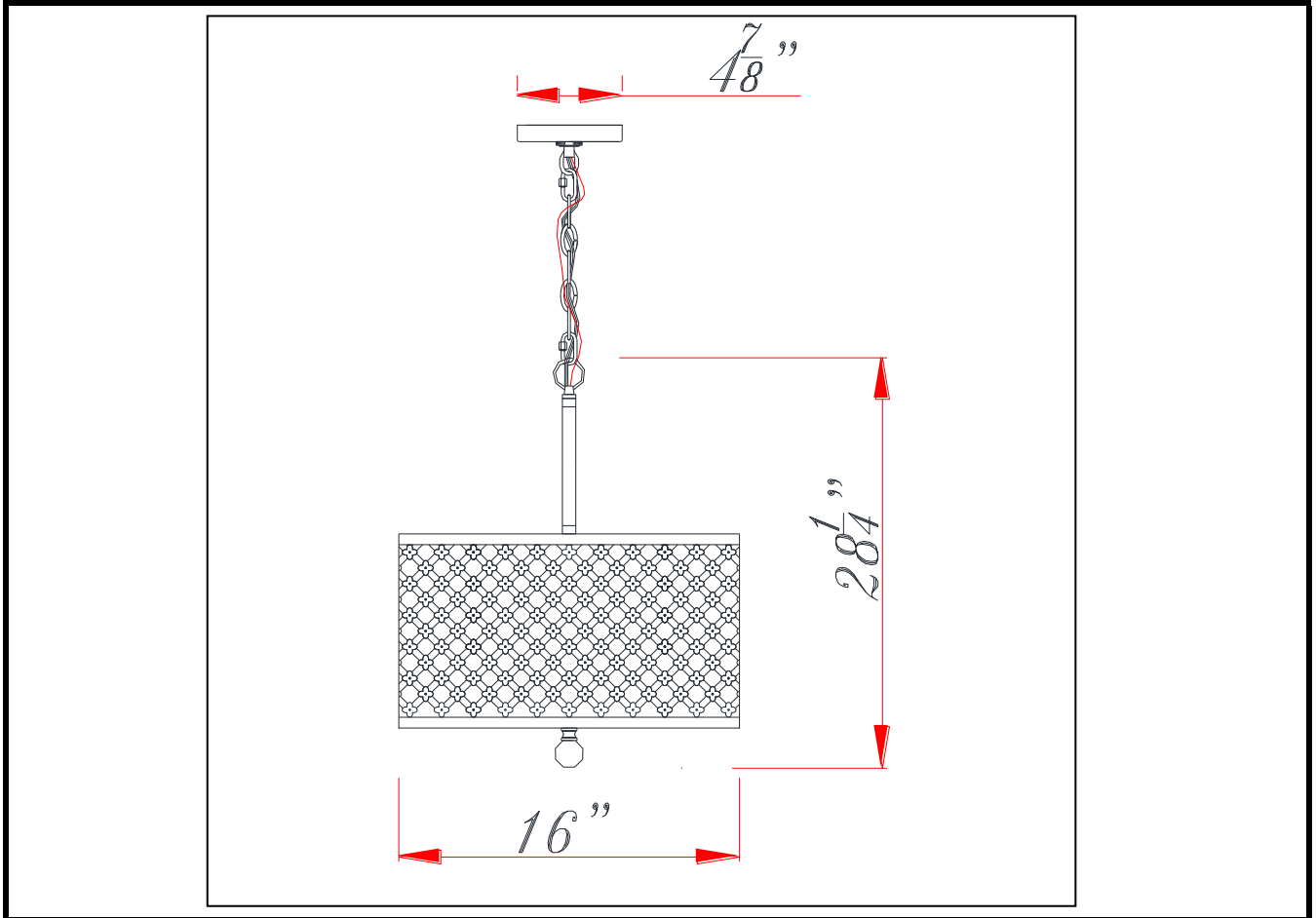
Type: _____


Project: _____

Catalog No.: _____

Lamp/Wattage: _____

Drawing:



- Model No:** FX-3597-1P
- Description:** 60W x 3 Fairview metal pendant fixture
- Material:** Metal+fabric
- Finish :** French Gold
- Height:** 28 1/4"
- Width:** 16"
- Wattage :** 60Wx3
- Socket :** Medium Base (E27)
- Bulb:** Incandescent
- Chain Length:** 6'
- Wire Length:** 10'
- Wire Color:** Brown
- Shade No:**
- Material:** Linen
- Shade size:** 15 1/2" x 15 1/2" x 8 1/2"
- Certificate :**  US