



# CAL LIGHTING

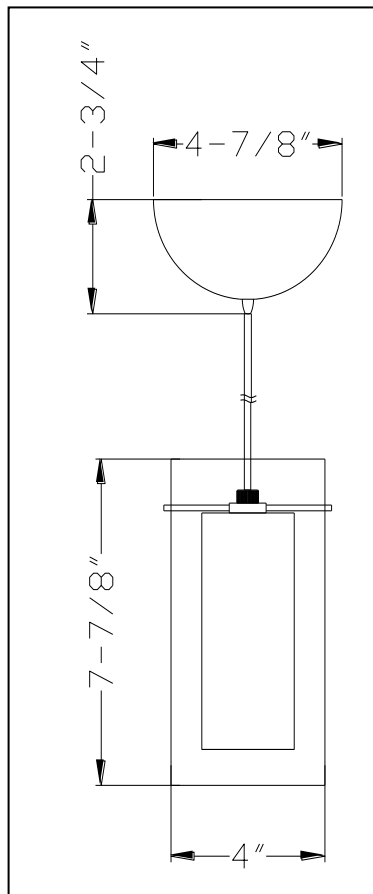
3625 E. Philadelphia St. Ontario CA. 91761 • Tel: 909.947.5200 • Fax:  
909.947.5673 • www.calighting.com • service@calighting.com •  
Specifications subject to change without notice

Type: \_\_\_\_\_

Project: \_\_\_\_\_

Catalog No.: \_\_\_\_\_

Lamp/Wattage: \_\_\_\_\_



**Model No. :** UP-1054

**Material :** Mouth blown glass

**Cord :** 6' is the basic length, 10' & 18' length are available by special order

**Bulb :** GY 6.35, Bi-Pin, Halogen

**Socket :** GY 6.35, Bi-Pin

**Voltage :** 12V

**Wattage :** 35W Max.

**Cord Finish :** BS (brushed steel)

**Canopy :** Dia. 4 7/8", H 2 3/4"

**Certificate :** 