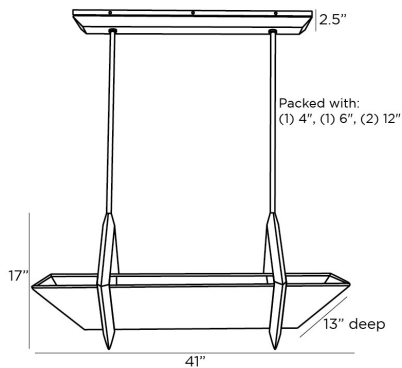


ARTERIOS

SAGINAW CHANDELIER



89496

H: 23.5 IN, W: 41 IN, D: 13 IN
White Linen, Gray Wash Wood
Contract Suitable As Is

An elegant mix of materials form the versatile Saginaw chandelier. Constructed with a trough of crisp white linen that forms a linear shade, the angular fixture introduces gray-washed wood in a sling design that is as striking as it is functional. The piece is suspended by antique brass pipes and an antique brass canopy that has a gray-washed wood accent. Damp-rated, although limited covered outdoor areas may affect finish.

APPEARANCE

Material	Linen, Steel, Wood
Finish	Antique Brass, Gray Wash, White
Top Coat/Sealant	false

DIMENSIONS

Chandelier	H: 17 IN, W: 41 IN, D: 13 IN
Minimum Hanging Height	23.5 IN
Maximum Hanging Height	53.5 IN
Canopy	H: 2.5 IN, W: 32.25 IN, D: 5 IN

WIRING

Rating	Damp
Cord	10 FT, Black/White, SVT
Socket	4, Type A - E26
Maximum Watt	40
Voltage	110-120 V

CERTIFICATIONS

Certifications	Mexico Australia, European Union, United Arab Emirates, United States, Canada
----------------	--

COMPLIANCY

UL/ETL	Yes
CB	Yes
RoHS	true

SHIPPING

Product Weight	18.28 LBS
Gross Weight 1	26.28 LBS
Gross Weight 2	0 LBS
Shipping Box 1	H: 30 IN, L: 21.5 IN, W: 21.44 IN
Shipping Box 2	H: 0 IN, L: 0 IN, W: 0 IN

REPLACEMENT PARTS

Replacement Part 1	PIPE-422
Replacement Part 1 Dim	Antique Brass Ext Pipe (1) 4", (1) 6" and (1) 12"
Replacement Part 2	CANOPY-106
Replacement Part 2 Dim	1.5x5.75

CONTRACT

Contract Suitable	true
-------------------	------