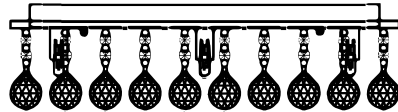


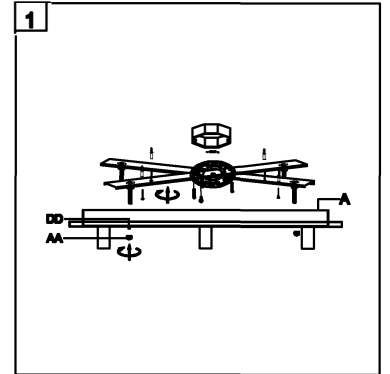
**Trade Mark:
CRYSTAL WORLD INC**

**Product Name: Ceiling lamp
Model :5052C20C-S
120Vac, 60Hz,AC ONLY
Lamp Size:W20*W20**H5"**



CEILING LAMP ASSEMBLY INSTRUCTIONS

1.Place fixture(A) onto mounting screws (DD).2.secure with cap nuts (AA).



Hardware Used

AA Cap nut  X 4

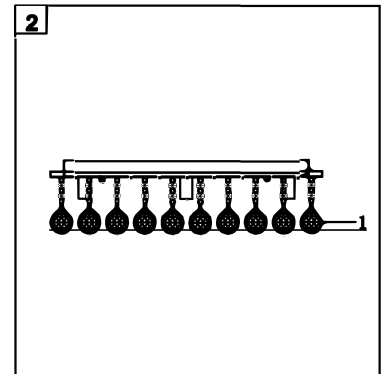
DD Mounting screw  X 4

3.Please put the crystal(1) to the fixture.

1



100PCS



2.Install light bulbs (not included).

Use bulb

120V G9  9*40W Max.

