

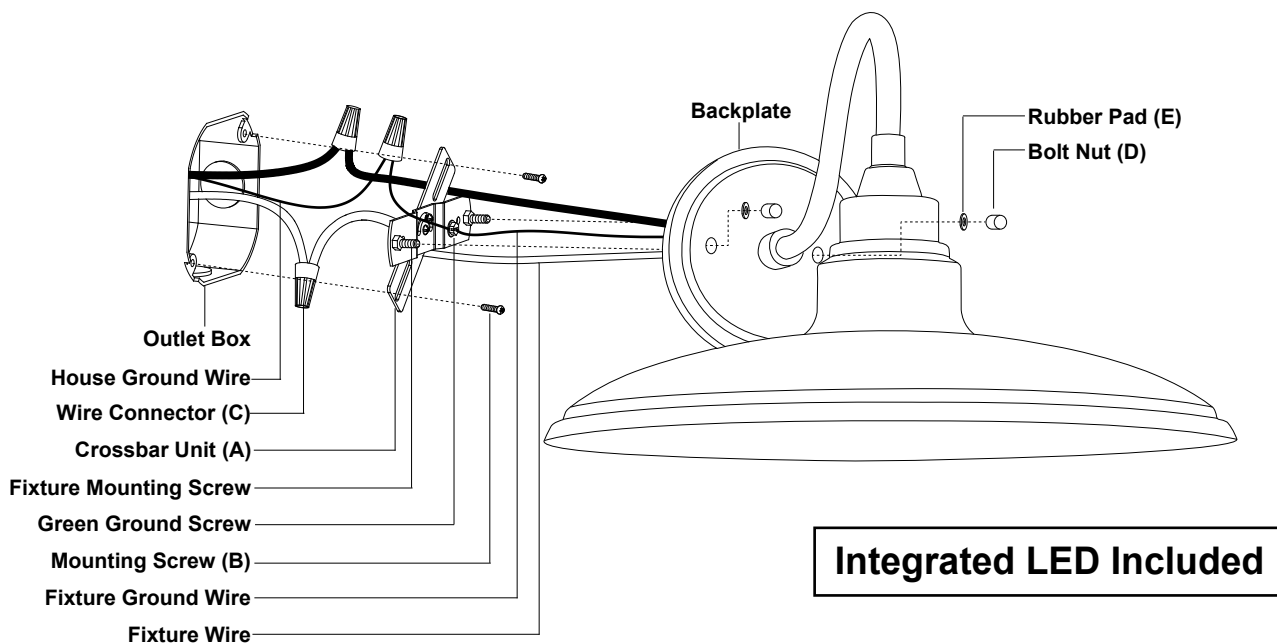
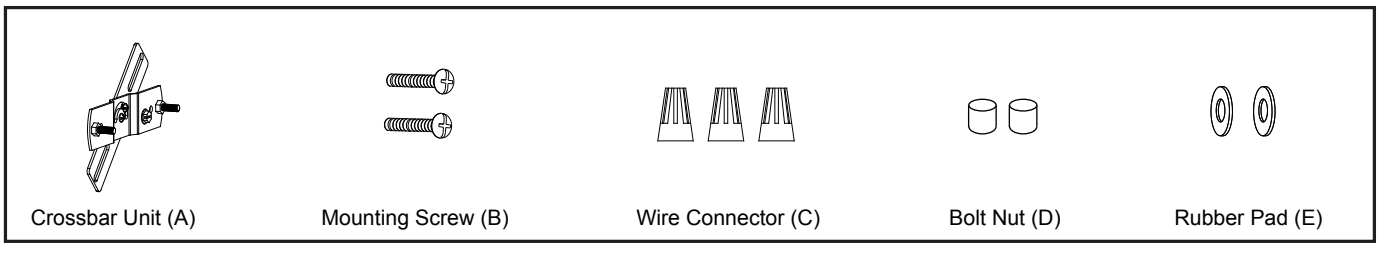
ASSEMBLY AND INSTALLATION INSTRUCTIONS

T0679 / T0680

WARNING: Turn off the main power at circuit breaker before installing fixture.
AVERTISSEMENT: Coupez la source d'alimentation principale au panneau central de disjoncteurs avant d'installer le luminaire.

- NOTE:** 1. Before installing, consult local electrical codes for wiring and grounding requirements.
2. **READ AND SAVE THESE INSTRUCTIONS.**
3. When handling the fixture, do not apply pressure to the LEDs.

Hardware Package (included):



Installation Steps

Turn off the power at fuse or circuit box

1. Unscrew the two bolt nuts (D). Remove the two rubber pads (E) and the crossbar unit (A) from the backplate.
2. Attach the crossbar unit (A) to the outlet box by using two mounting screws (B). Adjust the length of the preinstalled fixture mounting screws if necessary.
Note: Make sure that the fixture mounting screws are lined up horizontally to make the fixture level.

3. Pull out the source wires from the outlet box. Make wire connections using wire connectors (C) as follows:
- Connect the hot wire (black insulation) from the fixture to the black wire from the power source.
 - Connect the neutral wire (white insulation) from the fixture to the white wire from the power source.
 - Attach the fixture ground wire (bare wire) to the crossbar unit (A) with the green ground screw. Then depending on local code, connect it to the house ground wire with the wire connector (C).
- Carefully put all of the wires back into the outlet box.

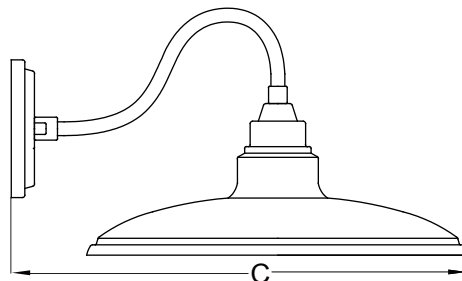
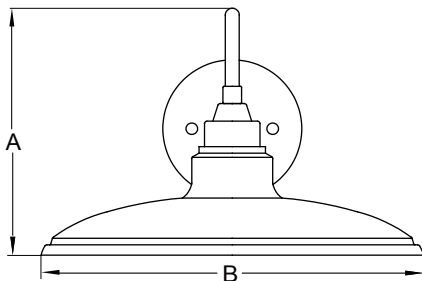
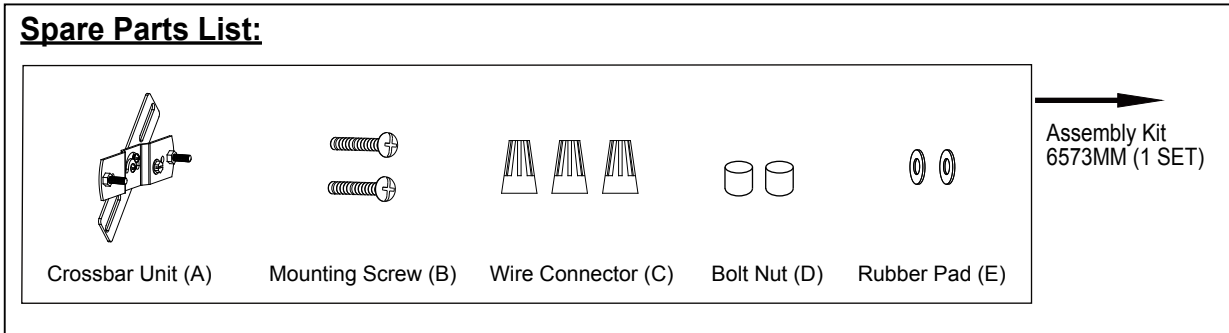
4. Attach the backplate of the fixture to the crossbar unit (A) by inserting fixture mounting screws into set holes on the backplate, then secure it with two rubber pads (E) and two bolt nuts (D).

Note: With silicone caulk compound, caulk completely around where the backplate meets with the wall surface to prevent water from seeping into the outlet box.

Turn on the power at fuse or circuit box.

The following parts are available for re-order if damaged or missing.

Spare Parts List:



T0679	T0680
A: 8-1/2"	A: 8"
B: 13"	B: 10"
C: 15-1/2"	C: 11-3/4"