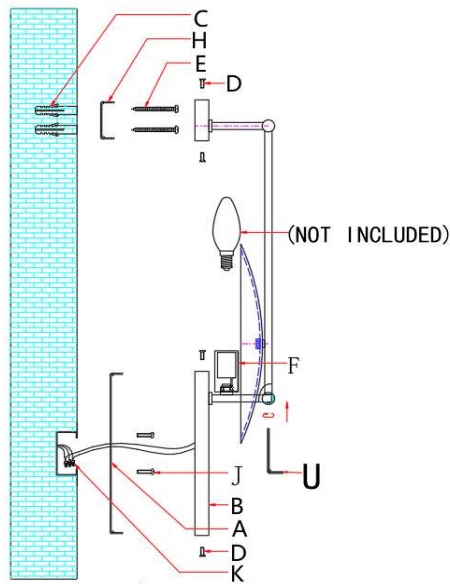


# ASSEMBLY INSTRUCTIONS

## ITEM DESCRIPTION:

ITEM NO.: DW30	NAME: CLOVER SCONCE
MATERIAL TYPE: METAL+ GLASS	FINISH: EBN+ANTIQUE BRASS+CLEAR SLUMP GLASS
SOCKET TYPE: : E12	SOCKET QTY: 1
BULB WATTAGE: TYPE B 60W	
VOLTAGE: 100V-120V	ITEM NET WEIGHT: 2.5KG



## PARTS INCLUDED

Mounting Plate 1(A)	Qty: 1PC
Back Plate(B)	Qty: 1PC
Anchor(C)	Qty:2PCS
Canopy Screw(D)	Qty:4PCS
Strengthened Screw(E)	Qty:2PCS
Sockets(F)	Qty: 1PC
Mounting Plate 2(H)	Qty: 1PC
Mounting Screw(J)	Qty:2PCS
Plastic Wire Connector(K)	Qty:3PCS
Allen Wrench(U)	Qty: 1PC

## HARDWARE INCLUDED:

Mounting Screws	Qty: 2PCS
Canopy Screws	Qty: 4PCS
Green Ground Screw	Qty: 1PC
Plastic Wire Connector	Qty: 3PCS

## TOOLS NEEDED (Not Included):

1 Screwdriver	1 Allen Wrench
---------------	----------------

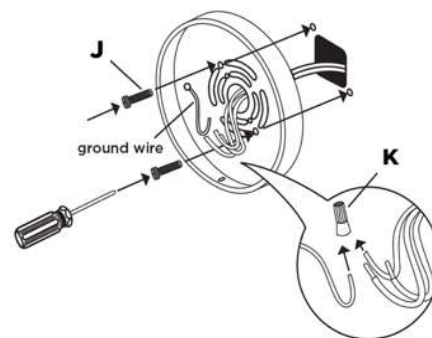
These instructions are provided for safety. It is very important that they are read carefully and completely before beginning installation of this chandelier.

We strongly suggest that all hard-wired fixtures must be installed by a professional electrician.



## TO ASSEMBLE:

1. Shut off the main electrical supply from the main fuse box/circuit breaker.
2. Position fixture in desired location on wall. The mounting plate(H) and mounting plate(A) features (4) holes for screw mounting. Mark these spots on the wall with a pencil to drill holes. drill 4 holes on these spots and insert anchor(C) into drilled holes.
3. Attach the mounting plate1 (A) to wall or junction box using mounting screws(J), and tighten it with a screwdriver. Then fix the top the mounting plate2 (H) by inserting 2pcs of strengthened screw(E) into the anchor(C) and tighten strengthened screw(E) with a screwdriver.
4. Pull the electrical cord of "J-box" through the exit hole of the mounting plate(A)
5. Connect ground wire from wall to ground wire from lamp using wire caps (K).
6. Attach house wire to lamp wires as shown. Fasten the pairs together with a wire caps  
DO NOT REVERSE THE HOT AND NEUTRAL CONNECTIONS OR SAFETY WILL BE COMPROMISED.
7. Attach front face of light to back plate by inserting canopy screws (D) through predrilled holes in front face and into back plate as shown. Tighten using screwdriver.
8. Please use an Allen wrench(U) to tighten the screws at the bottom of the arm as shown in order to prevent the glass from becoming loose.
9. Insert 1 type B 60W bulb (or/cfl 12w or/led 10w, not included) into the socket (F).  
DO NOT EXCEED SPECIFIED MAX WATTAGE.



## CARE INSTRUCTIONS:

Wipe with a soft, dry cloth. To protect finish, avoid the use of chemicals and household cleaners.

Arteriors Home: 972-488-9800 Arteriors Contract: 972-488-9800 Ext. 321