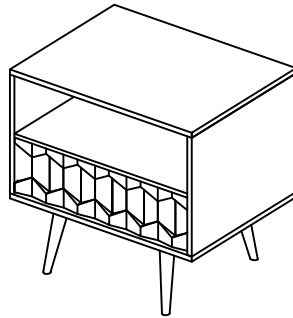


MOE'S
home collection

ASSEMBLY INSTRUCTIONS.

O2 NIGHTSTAND BROWN

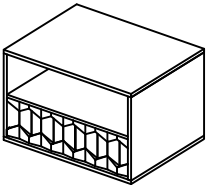
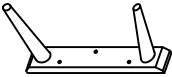
BZ-1022-24



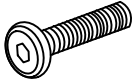



THANK YOU FOR YOUR PURCHASE!

PARTS & HARDWARE.

PART LIST

NO.	DESCRIPTION	IMAGE	Qty
A.	NIGHTSTAND		1
B.	LEG		2

HARDWARE LIST

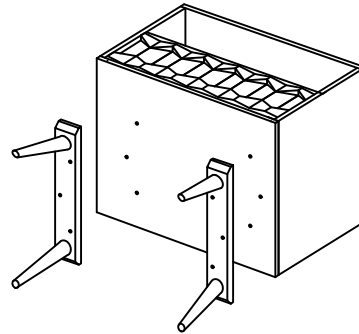
C.	Allen Bolt 6 x 40mm		6
D.	Flat Washer 8 x 25mm		6
E.	Spring Washer Ø8mm		6
F.	Allen Key 4mm		1

NOTES.

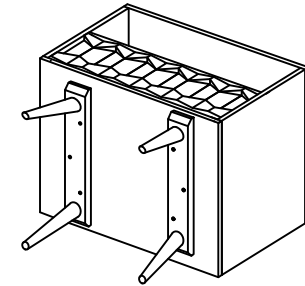
Thank you for purchasing this quality product!
Be sure to check all packing material carefully for small part that May have come loose inside the carton during shipping.

CAUTION: The Item is heavy, assembly should be performed by two people.

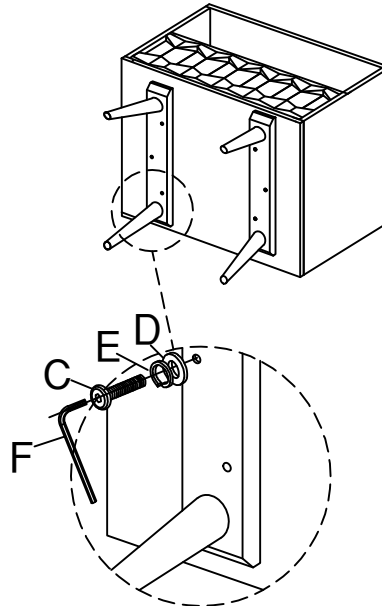
STEP 1.



STEP 2.



STEP 3.



STEP 4.

