

# TEAR SHEET

## Phial Large Display Form Table Lamp

Item # RB 3090EG/WI-L

Designer: Ray Booth

Height: 23.25"

Width: 17.5"

Base: 5.75" x 9.75" Decorative

Finishes: CG/WI, EG/WI

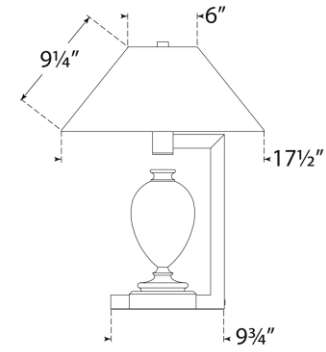
Shade Treatments: L

Shade Details: 6" x 17.5" x 9.25"

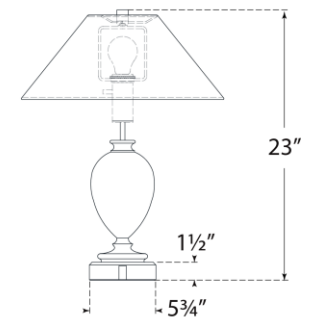
Socket: E26 Dimmer and Dedicated LED

Wattage: 15 LED A19 and 9w(1080lm)

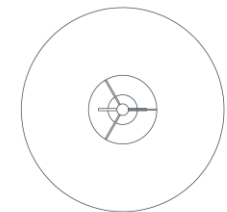
Weight: 18 Pounds



Side View



Front View



Top View