

## IN20002

# INSTALLATION INSTRUCTIONS

Please read carefully and save these instructions, as you may need them at a later date.

### CAUTION

**WARNING:** Risk of Fire. Consult a qualified electrician to ensure correct branch circuit conductor. Min 90°C supply conductors.

Turn off the main power at the circuit breaker before installing the fixture, in order to prevent possible shock.

### GENERAL

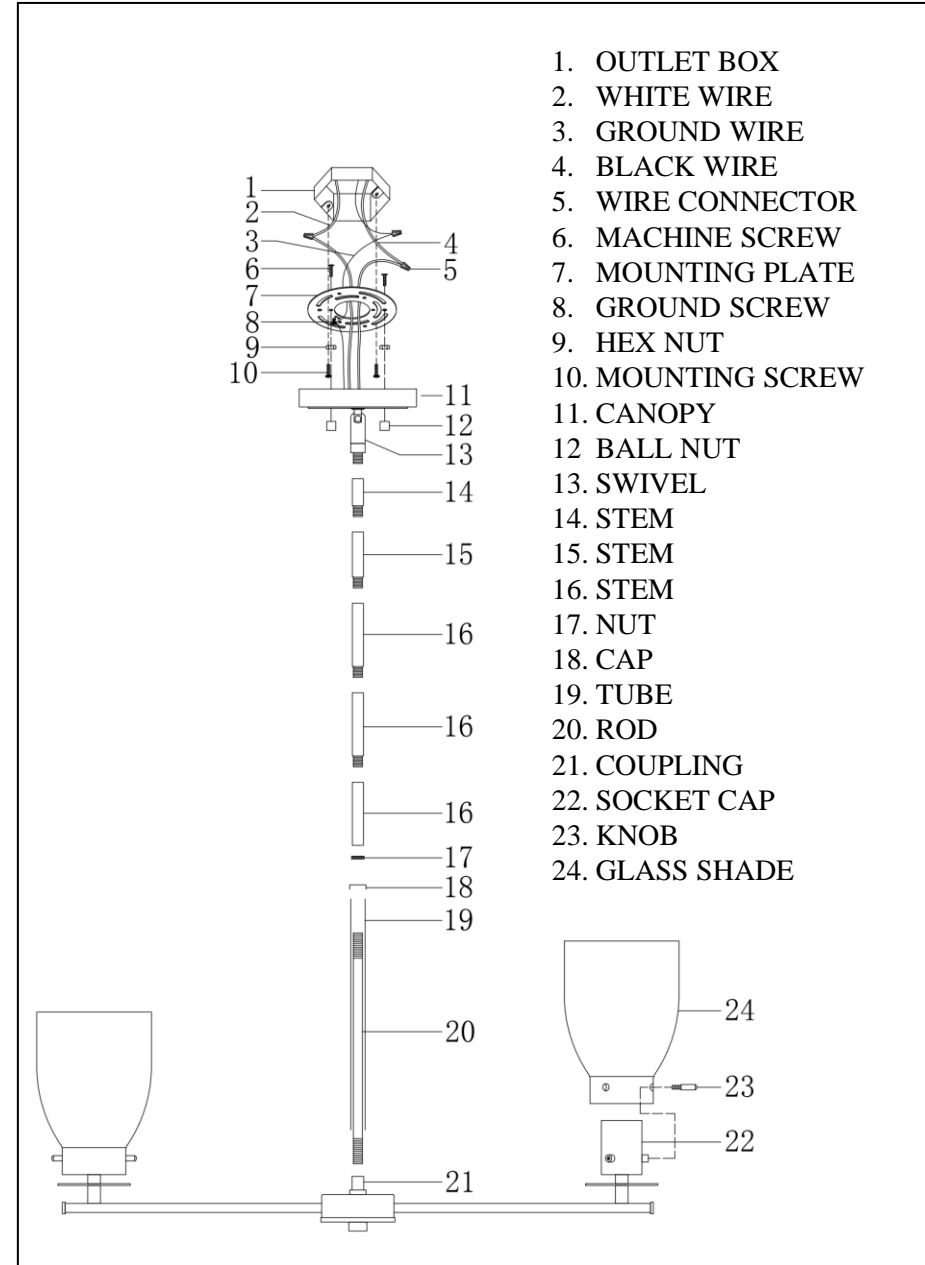
All electrical connections must be in accordance with local and National Electrical Code (N.E.C.) standards. If you are unfamiliar with proper electrical wiring connections obtain the services of a qualified electrician.

Remove the fixture and the mounting package from the box and make sure that no parts are missing by referencing the illustrations on the installation instructions.

### ASSEMBLY AND INSTALLATION

1. Thread the rod (20) into the coupling (21), then place the tube (19), cap (18) to the rod (20) and secure with the nut (17).
2. Connect stems (14)(15)(16), then screw them into the rod (20) and the swivel (13).
3. Thread two machine screws (6) to the mounting plate (7) and secure with the hex nut (9).
4. Secure the mounting plate (7) to the outlet box (1) with mounting screws (10) .
5. Pull out the outlet wire and ground wire from the outlet box (1). Make wire connections.
  - Ribbed wire (w/o marking) from light to White wire (2) from power source.
  - Smooth wire (w/o marking) from light to Black wire (4) from power source.
  - Loop the ground wire (3) to mounting plate (7) with a ground screw (8).
6. Attach the canopy (11) against the outlet box (1), secure with the ball nut (12).
7. Attach the glass shade (24) to the socket cap (22), then secure with the knob (23).
8. Install bulbs: (bulbs not included)  
(Do not exceed the maximum capacity recommended on the sockets).

**INSTALLATION IS NOW COMPLETE**



1. OUTLET BOX
2. WHITE WIRE
3. GROUND WIRE
4. BLACK WIRE
5. WIRE CONNECTOR
6. MACHINE SCREW
7. MOUNTING PLATE
8. GROUND SCREW
9. HEX NUT
10. MOUNTING SCREW
11. CANOPY
12. BALL NUT
13. SWIVEL
14. STEM
15. STEM
16. STEM
17. NUT
18. CAP
19. TUBE
20. ROD
21. COUPLING
22. SOCKET CAP
23. KNOB
24. GLASS SHADE