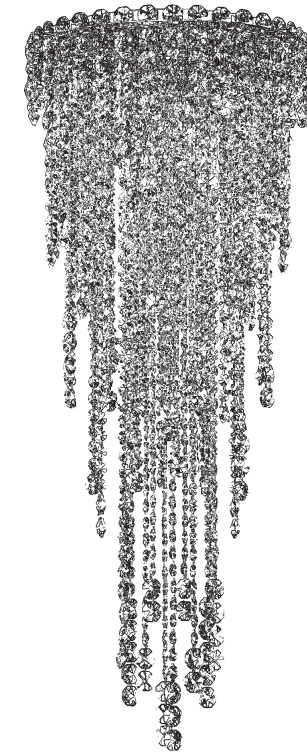




SCHONBEK®

CHANTANT
CH1202N- __ __ H



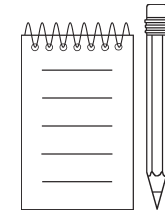
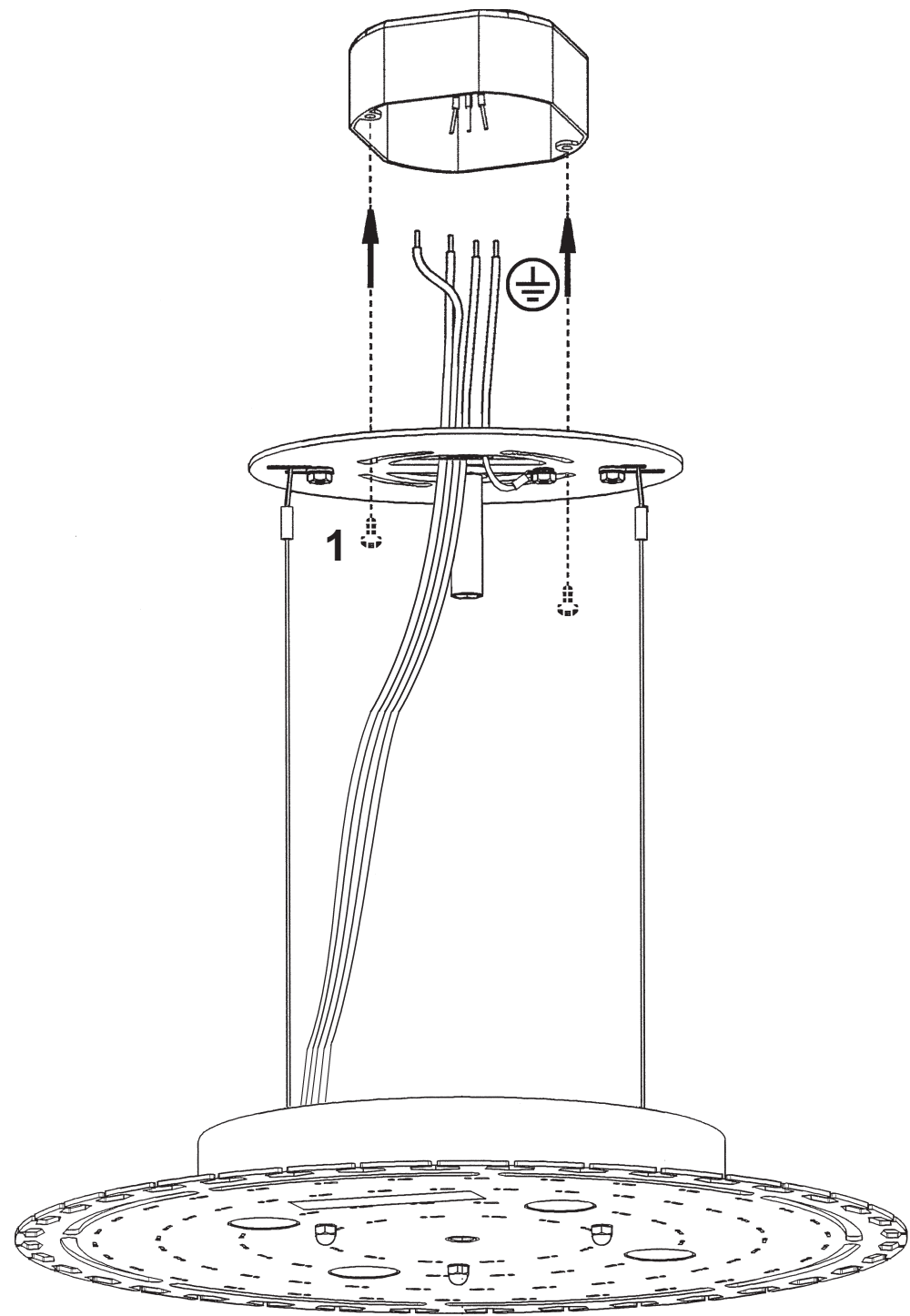
THIS DESIGN IS THE PROPRIETARY
TRADE DRESS/TRADE MARK OF
SWAROVSKI LIGHTING, LTD.

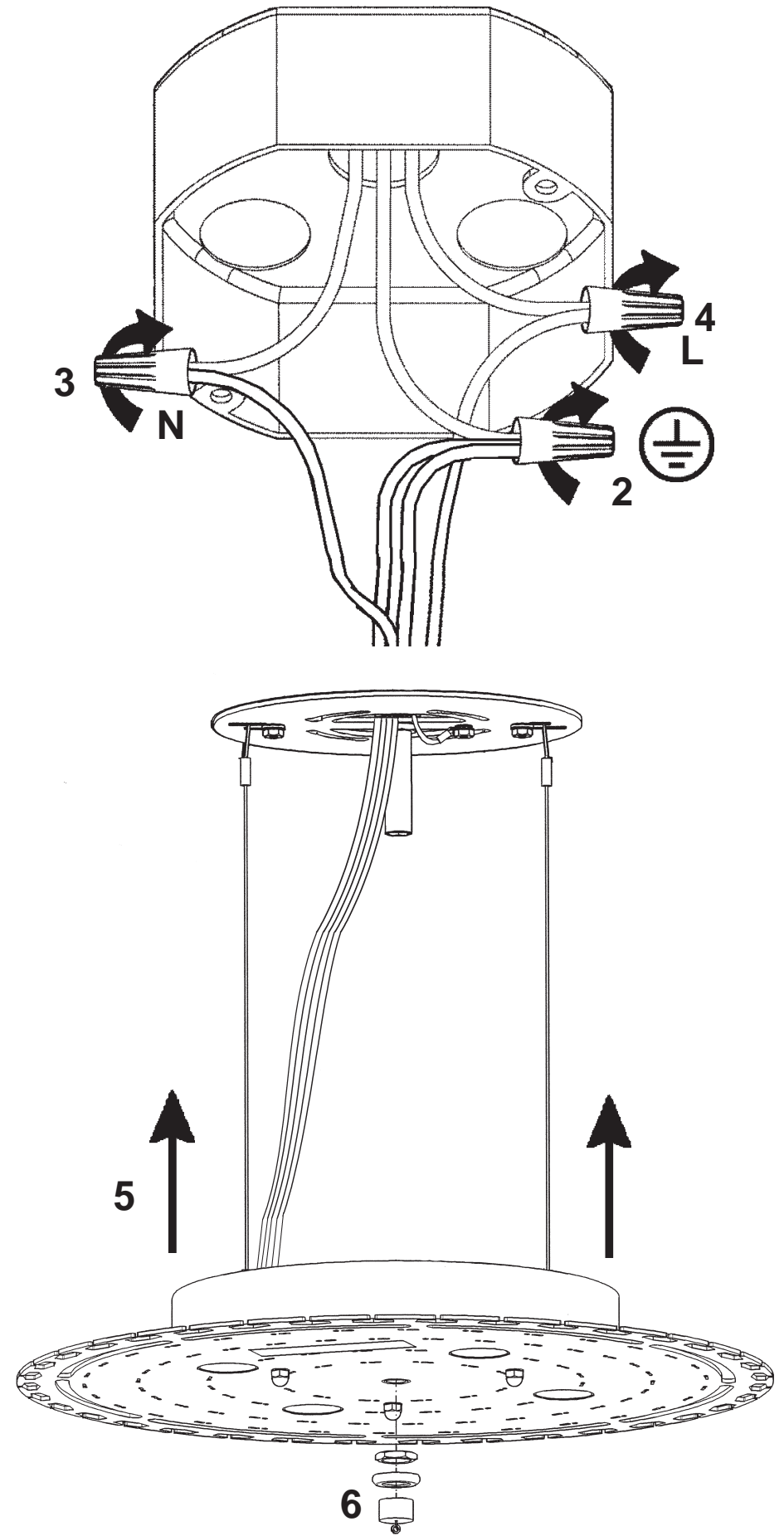
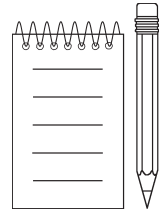
4 Lights
Diameter: 14"
Height: 35-1/2"
Hanging Weight: 14lbs.

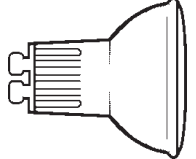



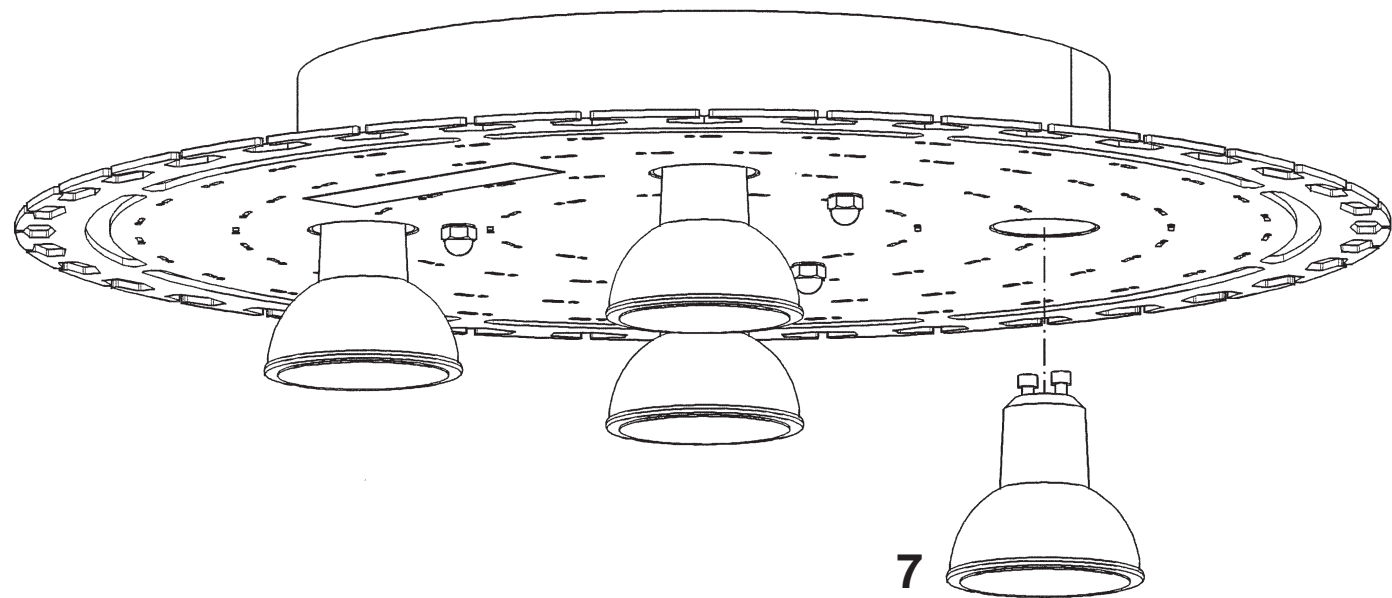
SCHONBEK®

| | | | | | | | |
|-----------------|-----------|--|--|--|--|--|--|
| | | | | | | | |
| MAX <u>35</u> W | 110-120 V | | | | | | |

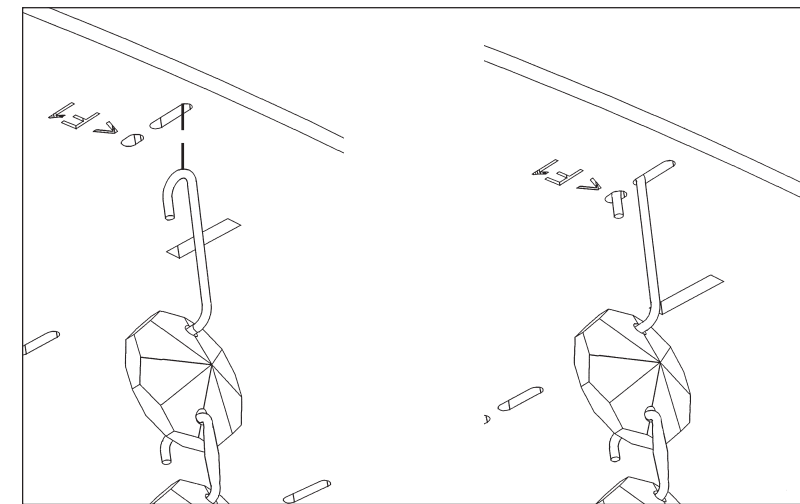
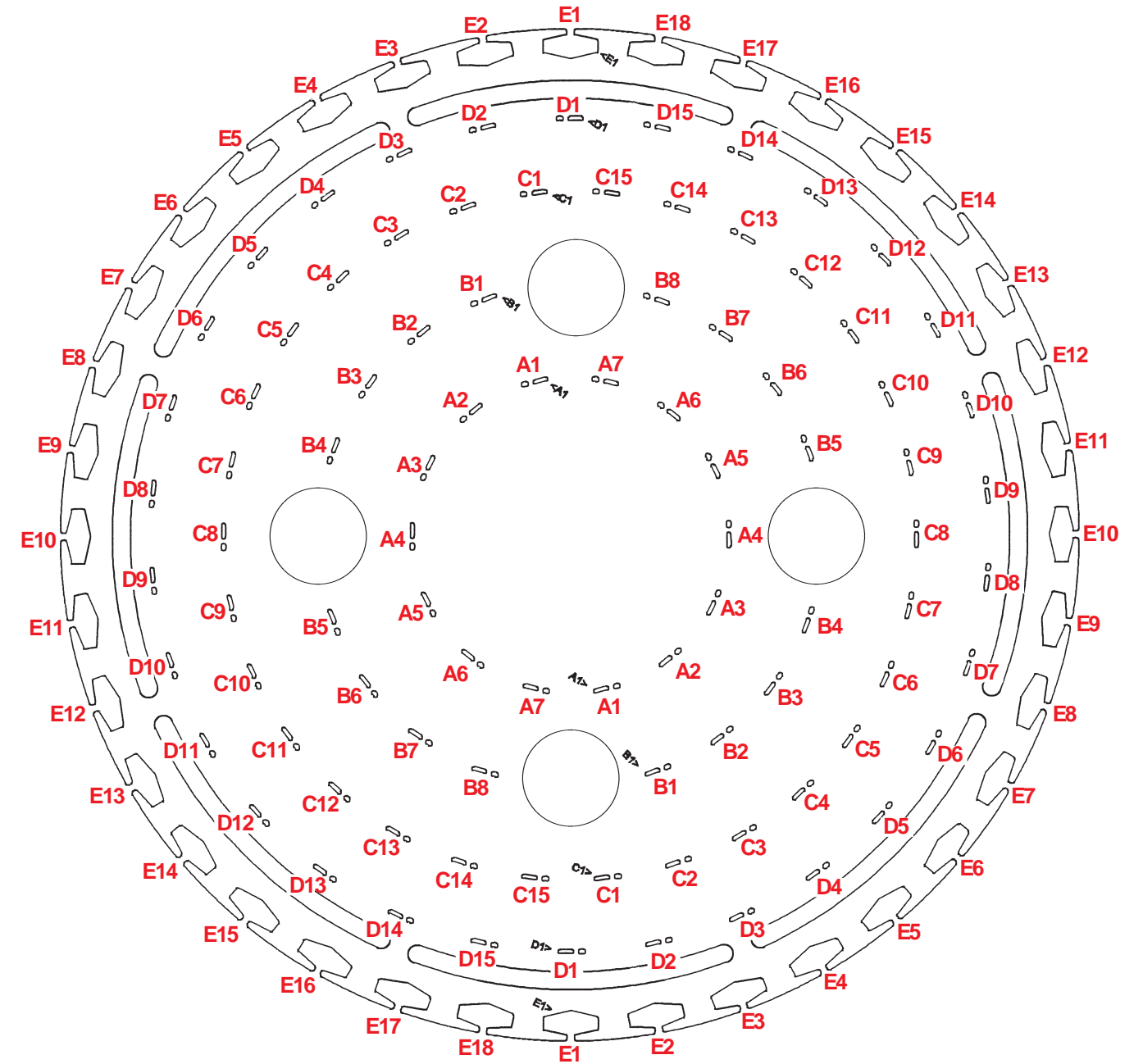




4 X  : GU10 35W MAX 



7



- 8 A1 - A7
- 9 B1 - B8
- 10 C1 - C15
- 11 D1 - D15
- 12 E1 - E18

After hanging all trim, remove labels from crystals. If residue remains, wipe off crystal with a soft, dry cloth.