

**HOLT**  
**FM45707**  
 FLUSH MOUNT

PROJECT



FM45707-BN/GO  
 Brushed  
 Nickel/Glossy Opal  
 Glass



FM45707-BG/GO  
 Brushed  
 Gold/Glossy Opal  
 Glass

**SPECIFICATION DETAILS**

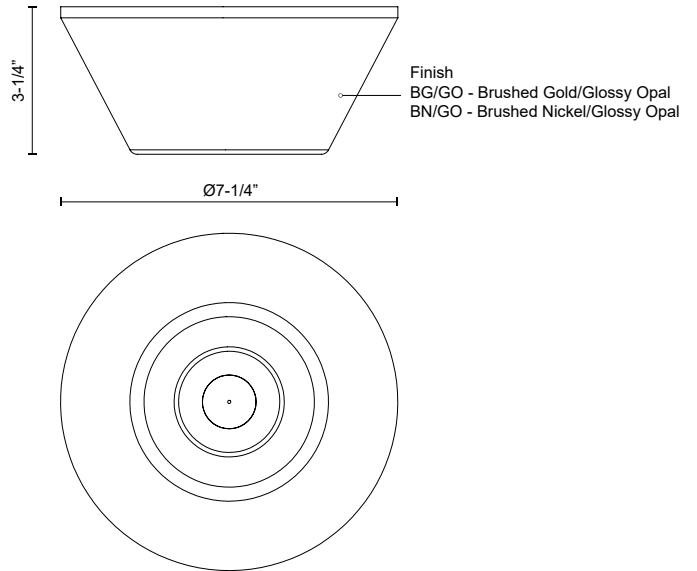
<b>Fixture Dimensions</b>	D7-1/4" x H3-1/4"
<b>Light Source</b>	AC LED Module
<b>Wattage</b>	13W
<b>Total Lumens</b>	1020lm
<b>Delivered Lumens</b>	BG/GO-574lm; BN/GO-584lm;
<b>Voltage</b>	120V
<b>Color Temperature</b>	3000K
<b>CRI (Ra)</b>	90CRI
<b>Optional Color Temps</b>	2700K - 5000K Available, Minimum Order Quantities Apply
<b>LED Rated Life</b>	50,000 hours
<b>Dimming</b>	100% - 10%, ELV Dimmer (Not Included)
<b>Glass Details</b>	Glossy Opal Glass
<b>Location</b>	Dry
<b>Illumination Direction</b>	Down
<b>Mounting Style</b>	Ceiling/Wall
<b>CEC Title 24 JA8</b>	Yes, JA8-2022
<b>Paint Finish</b>	BG01; BN01;

\* For custom options, consult factory for details.

\* For warranty information, please visit [www.kuzcolighting.com/warranty](http://www.kuzcolighting.com/warranty)

**DESCRIPTION**

The dramatic spiked pyramid detail of the Holt Collection gives it an edgy sophistication that isn't found in other vanity-style lighting options. Each circular opal glass diffuser is topped with brushed gold or black pyramids that draw your eyes to the center of the fixture. Whether you're looking for a unique style or an alternative edge, the Holt family is the direction to go.



**KUZCO**

CANADA: 19054 28TH AVENUE - SURREY, BC V3Z 6M3  
 USA: 3035 E. LONE MOUNTAIN ROAD - LAS VEGAS, NV 89081

[WWW.KUZCOLIGHTING.COM](http://WWW.KUZCOLIGHTING.COM)

© 2023 KUZCO LIGHTING. ALL RIGHTS RESERVED.

**COMMENT**

