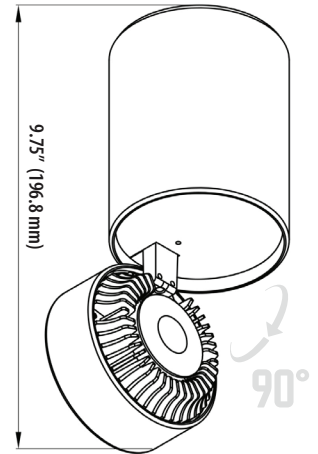
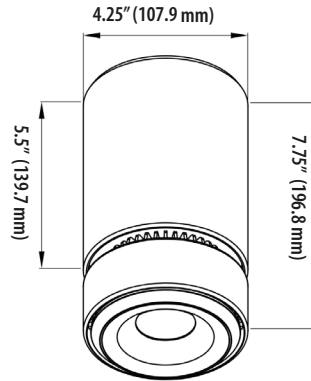


ORBIT SERIES

VMCL000701A020WH



PROJECT:	TYPE:	CATALOG #:	DATE:
----------	-------	------------	-------



NOMINAL STANDARD SPECIFICATIONS

SKU:	VMCL000701A020WH
FINISH:	WHITE
LUMEN OUTPUT:	1877.85
INPUT VOLTAGE:	100 - 277V
COLOR TEMPERATURE:	3000K
CRI: 90	90
DIMMING:	0-10V
POSITIONING:	ADJUSTABLE 350° LEFT - RIGHT, 90° UP - DOWN
BEAM ANGLE:	40.5°
WATTAGE:	20 W
CUT OUT:	0.59" Dia.
ENVIRONMENT:	DRY / IP20
MOUNTING:	SURFACE

FEATURES

- LED Surface mounted adjustable downlight, ORBIT Series
- Aluminum body structure available in 2 finishes Black and White
- Integrated LED fixture, surface mounted
- IC Rated
- OVERALL DIMENSIONS: 4.25" Diameter x 7.75"H
- CANOPY DIMENSIONS: 4.25" Diameter x 5.5"H
- LIGHT HEAD DIMENSIONS: 4.25" Diameter x 2.25"H
- HOLE SIZE: 0.59" Diameter
- ETL, cETL, Title 20 Compliant, Title 24 Compliant, Prop 65 Compliant, Energy Star Compliant
- 3 Year Limited Warranty

THE MEASUREMENTS ARE ROUNDED TO THE NEAREST 1/4"

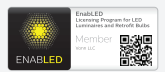
SAMPLE ORDERING SKU

1	2	3	4	5	6
VMCL000701A020WH	020	BL	30K	B36	
1 - SKU	2 - WATTAGE	3 - FINISH	4 - COLOR TEMP.	5 - BEAM ANGLE	6 - OTHER OPTIONS
VMCL000701A	020 - 20 W	WH - White BL - Black*	27K - 2700* 30K - 3000 35K - 3500* 40K - 4000*	B12 -12°* B24 -24°* B340 -40.5°	EMD - EMERGENCY DRIVER EMC - EMERGENCY CIRCUIT

NOTES

RELATED PRODUCTS AVAILABLE:

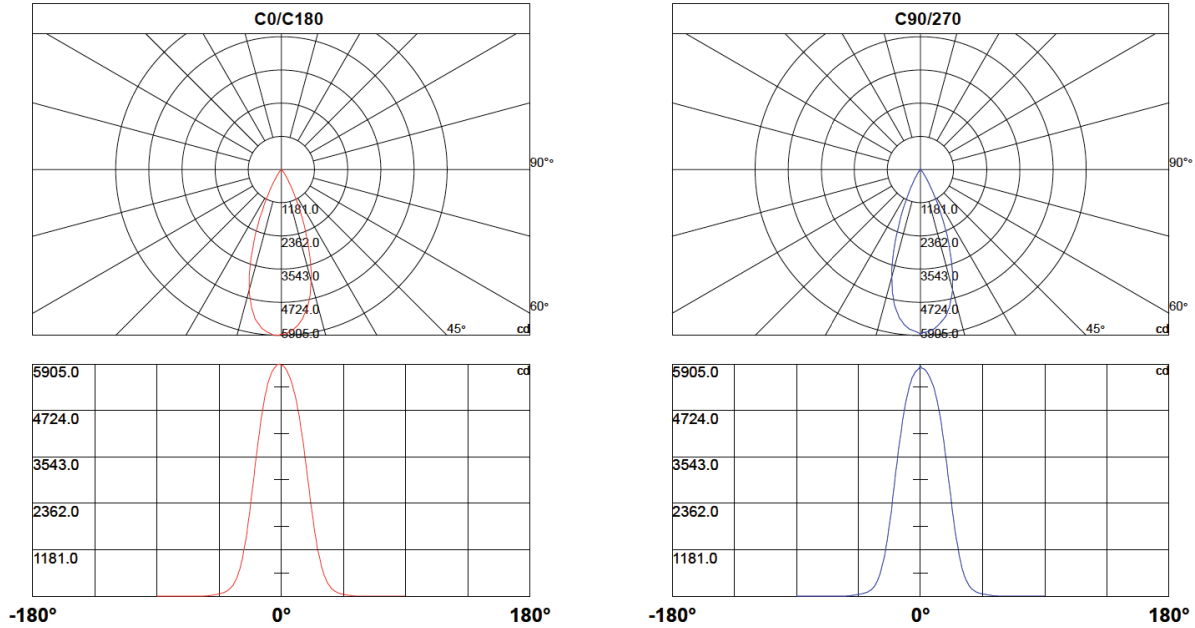
- VMCL000701A020WH
- VMDL000701A020BL
- VMDL000701A020WH
- VMCL004101A008BL



PROJECT: _____ TYPE: _____ CATALOG #: _____ DATE: _____

PHOTOMETRICS

30K - 3000 - STANDARD



BEAM ANGLE

30K - 3000 - STANDARD

