

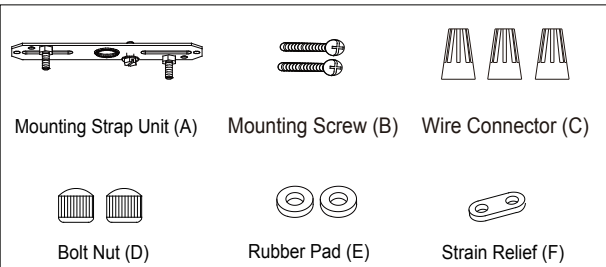
ASSEMBLY AND INSTALLATION INSTRUCTIONS

T0373 / T0374 / T0485 / T0489

WARNING: Turn off the main power at circuit breaker before installing fixture.
AVERTISSEMENT: Coupez la source d'alimentation principale au panneau central de disjoncteurs avant d'installer le luminaire.

NOTE: 1. Before installing, consult local electrical codes for wiring and grounding requirements.
2. Read and save these instructions.

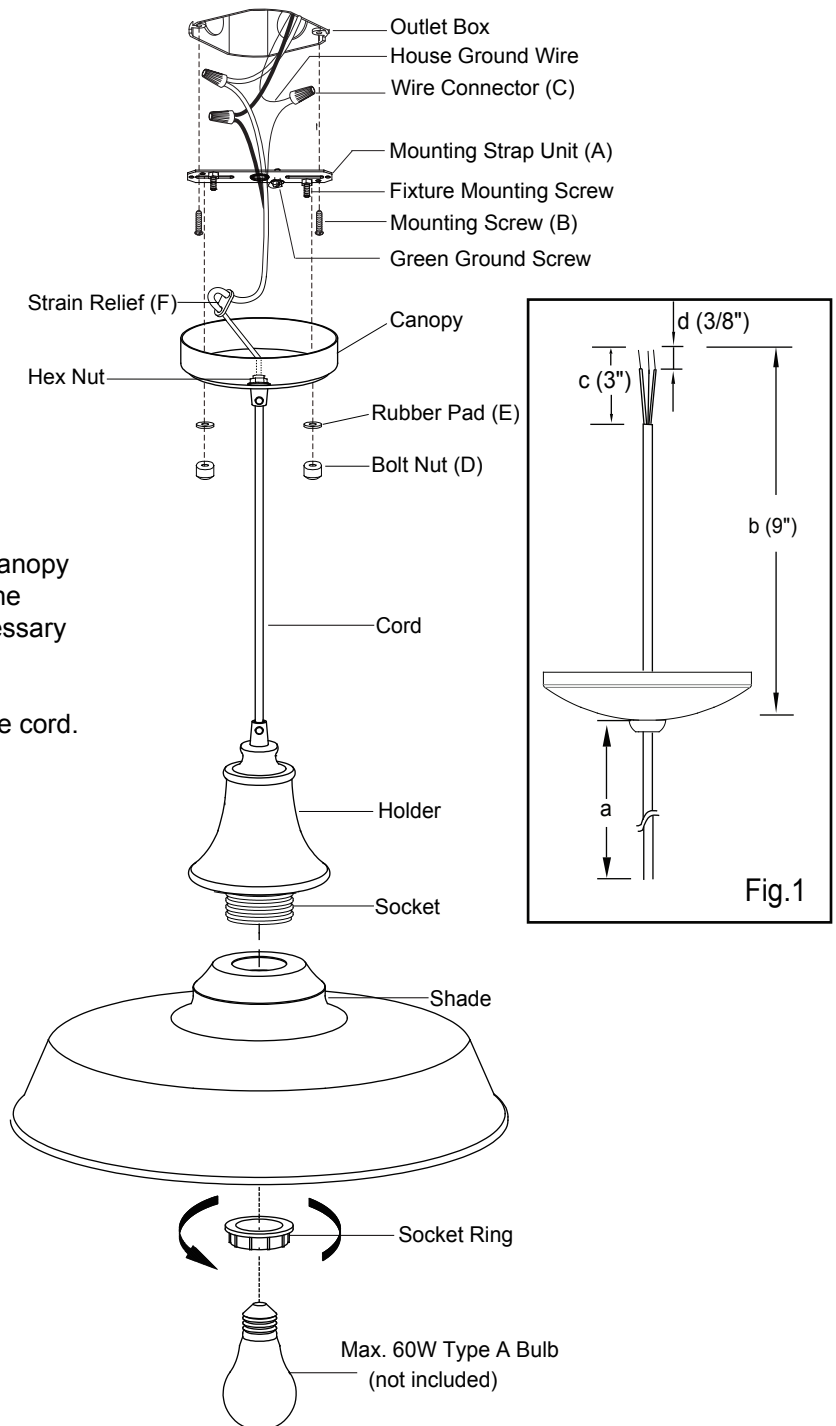
Hardware Package (included):



Installation Steps

Turn off the power at fuse or circuit box.

1. Measure the desired length of the cord (a) from the canopy to the shade and leave additional 9" cord (b) above the canopy (include the canopy). Then cut off the unnecessary cord. (See Fig.1)
2. Adjust strain relief (F) at 9" position from the top of the cord.
3. Mark the 3" cord (c) from the top of the cord (b). Use a knife to peel off the insulation of the cord (c) carefully to show the 3 inside wires out. (See Fig.1)
Caution : Cutting too deep may cut off three inside wires and destroy the insulation surface of the three inside wires.
4. Peel off the 3 wires from the top about 3/8" long (d) to expose the copper for wiring.
5. Attach the mounting strap unit (A) to outlet box by using two mounting screws (B).




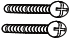




7. Pull out the source wires from the outlet box. Make wire connections using wire connectors (C) as follows:
 - Connect the hot wire (black insulation) from the fixture to the black wire from the power source.
 - Connect the neutral wire (white insulation) from the fixture to the white wire from the power source.
 - Attach the fixture ground wire (green insulation) to the house ground wire with a wire connector (C).
 Carefully put all of the wires back into the outlet box.
8. Attach the canopy to the mounting strap unit (A) by inserting the two fixture mounting screws into the open holes on the canopy, and secure it with two rubber pads (E) and two bolt nuts (D).


Note: Adjust the strain relief can decrease or increase the length of cord exposing outside.
9. Pull the cord (a) down slightly until the strain relief (F) touches the hex nut. Attach shade to socket, then secure it with socket ring.
10. Install the bulb (not included). See relamping label at socket area or packaging for maximum wattage allowed.

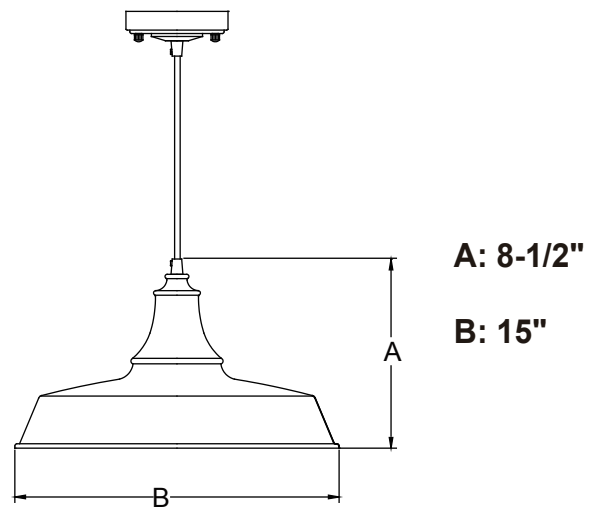
Turn on the power at fuse or circuit box.

The following parts are available for reorder if damaged or missing.

Spare Parts List:

 Mounting Strap Unit (A)	 Mounting Screw (B)	 Wire Connector (C)
 Bolt Nut (D)	 Rubber Pad (E)	 Strain Relief (F)


Assembly Kit
 5788MM (1 SET) for T0373
 5789MM (1 SET) for T0374
 5989MM (1 SET) for T0485
 5990MM (1 SET) for T0489



1 Year Warranty

Vaxcel warrants all of our products against defects in workmanship and finishes for one year following the date of shipment.

Exclusions: This warranty does not include the failure of products from extreme acts of nature; environmental conditions not suited for the products intended use; operation in temperatures outside of the range specified in the instruction manual; usage with improper power supply, power surges or dips. For coastal locations, some corrosion is considered normal for the environment.

Vaxcel reserves the right to repair, replace or issue a credit for any properly installed product, provided it is returned per RMA instruction. This warranty is limited to the cost of the product only and does not extend to transportation, installation or replacement costs.

How can warranty service be obtained?

info@vaxcel.com
 1-800-482-9235