

GAMA SONIC®

SOLAR LIGHTING



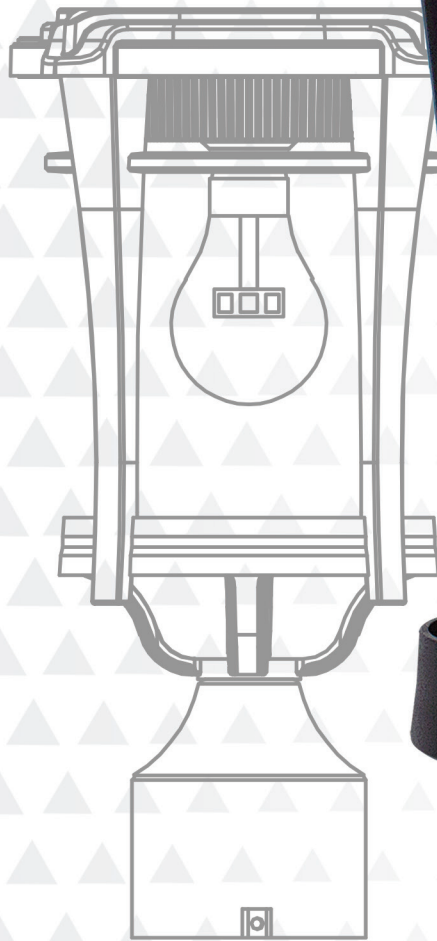
Post/3" Fitter Mount



Pier Mount



Wall Mount




Instruction Manual

AURORA SOLAR LAMP

Model: GS-124B-FPW

US Patent #9458970

Version 1.1

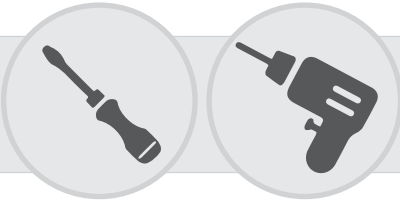
 Please read the instruction manual carefully to obtain the best results from your purchase.

Thank you for your purchase. GAMA SONIC® solar charged lighting eliminates the problems associated with most solar lighting available today. GAMA SONIC® solar charged lights are brighter and last all night with a full day solar charge. Unique designs, superior light output, and numerous installation options confirm the outstanding value of our product.

For technical assistance and more information call our Toll-Free number:
800-835-4113 (only within the US)

Or

visit our website or download the latest version of your instruction manual:
www.gamasonic.com Or **www.gamasonic.com/user-guides**



Tools that are needed but not supplied with the solar post lamps are: a screwdriver, power drill.

Solar Lamp Location:

For optimum light duration throughout the night, it is very important to place your solar lamp in a spot where it will receive the maximum amount of direct sunlight throughout the day.

Note: The unit will operate optimally after 2 full days of charging.



What's Inside:

Open your package and remove the contents. Check to make sure all pieces are present and accounted for.



A. Top & Bulb



B. Fixture



C. Fitter



D. Wall Mount



E. Flat Base



F. Bolt



Operation Instructions

1. Remove part (A) from part (B) by removing the 2 screws as shown in Fig. 1.
2. Screw in provided A-50 Gama Sonic bulb while gripping the base only (Fig. 3).
3. Turn the operation switch (Fig. 2) to the HIGH/OFF/LOW position, and the solar lamp will automatically operate from dusk to dawn. Reattach part (A) to part (B) and secure with the 2 screw.

Fig. 1



Fig. 2

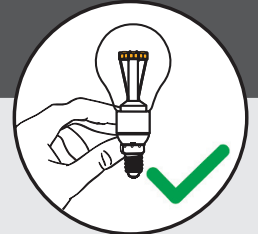


Fig. 3

Installation Instructions

Pier (Flat) Mount (Fig. 4)

Note: There are specific types of screws for specific surfaces. If unsure of the appropriate type of screw to use on your desired surface, please consult a professional.

1. Use a drill to make two holes in the desired surface.
2. Use the appropriate mounting hardware to secure your lamp to the desired surface.
3. Screw the fixture (B) into the flat base (E) using bolt (F).



Fig. 4

Wall Mount (Fig. 5)

1. Using the wall bracket (D) as a template, drill two holes in the wall and place appropriate hardware into holes.
2. Place the wall bracket in line with the holes and secure bracket to wall.
3. Screw the fixture (B) into the wall mount (D) using bolt (F).



Fig. 5

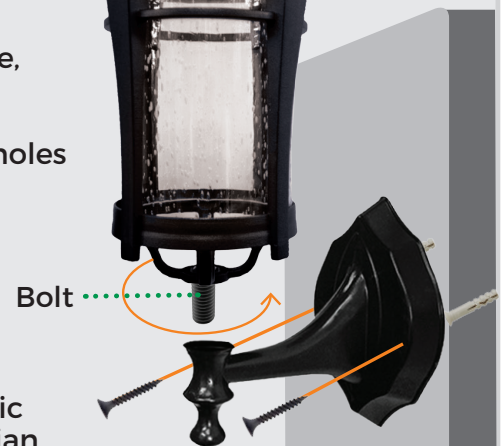


Fig. 6

Post/3" Fitter Mount (Fig. 6)

Note: If you are replacing an existing gas/electric post light, you must consult a certified technician to disconnect them before installation.

1. Screw the fixture (B) into the fitter (C) using bolt (F).
2. Place the unit on top of the existing 3" post and tighten it using the screws provided.





Replacing the Batteries

Replacement batteries are available
at www.gamasonic.com or via our Toll free number: +1-800-835-4113

After several years of use, the battery may need replacing.

1. Remove the 2 screws from the top of the lamp and remove the top from the fixture. (Fig. 7)
2. Remove the bulb.
3. Remove the screw from the battery cover.
4. Take the battery out of its secured position and unclip its wire. Clip your new battery in and reinstall the lamp in reverse order.

This lamp takes a 3.2V/1500 mAh Li-Ion battery pack.
Replacement batteries can be purchased through our
authorized dealers or by going to www.gamasonic.com



WARNING: Do not dispose of Li-Ion batteries in the regular trash, municipal waste stream or by fire as batteries may leak or explode. Do not open, short circuit, or mutilate batteries as injury may occur. Preserve our environment by recycling Li-Ion batteries or disposing of them in accordance with local, State and federal regulations. Do not mix old and new batteries.

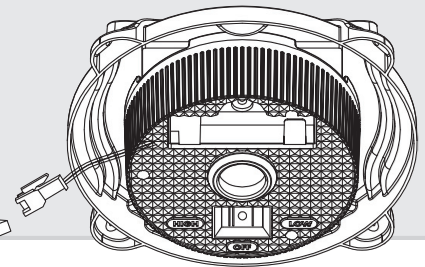


Fig. 7

Maintenance



Clean the solar module regularly with a damp towel to guarantee optimum performance of the solar panel. Do not use any type of solvent for cleaning and be careful not to put too much pressure on the module while cleaning.

Trouble Shooting

If your solar charged light does not come on at dusk despite observance of all the instructions, please try the following steps:

1. Make sure that the solar light is not being affected by any other light source.
2. Ensure the solar light is not positioned in the shade during the day.
3. Make sure the switch in the lamp head is in the "ON" position.
4. Check that the batteries are installed correctly.

NOTE: The performance of the solar light will vary with the time of year. It will deliver longer duration when it has had a full day in the sun rather than a day in overcast weather.



WINTERTIME TIPS: For optimal performance, be sure to remove any snow or debris accumulation from solar panel(s). A solar panel free of debris will charge the batteries much more efficiently.

WARNING: Please keep out of reach of children.

