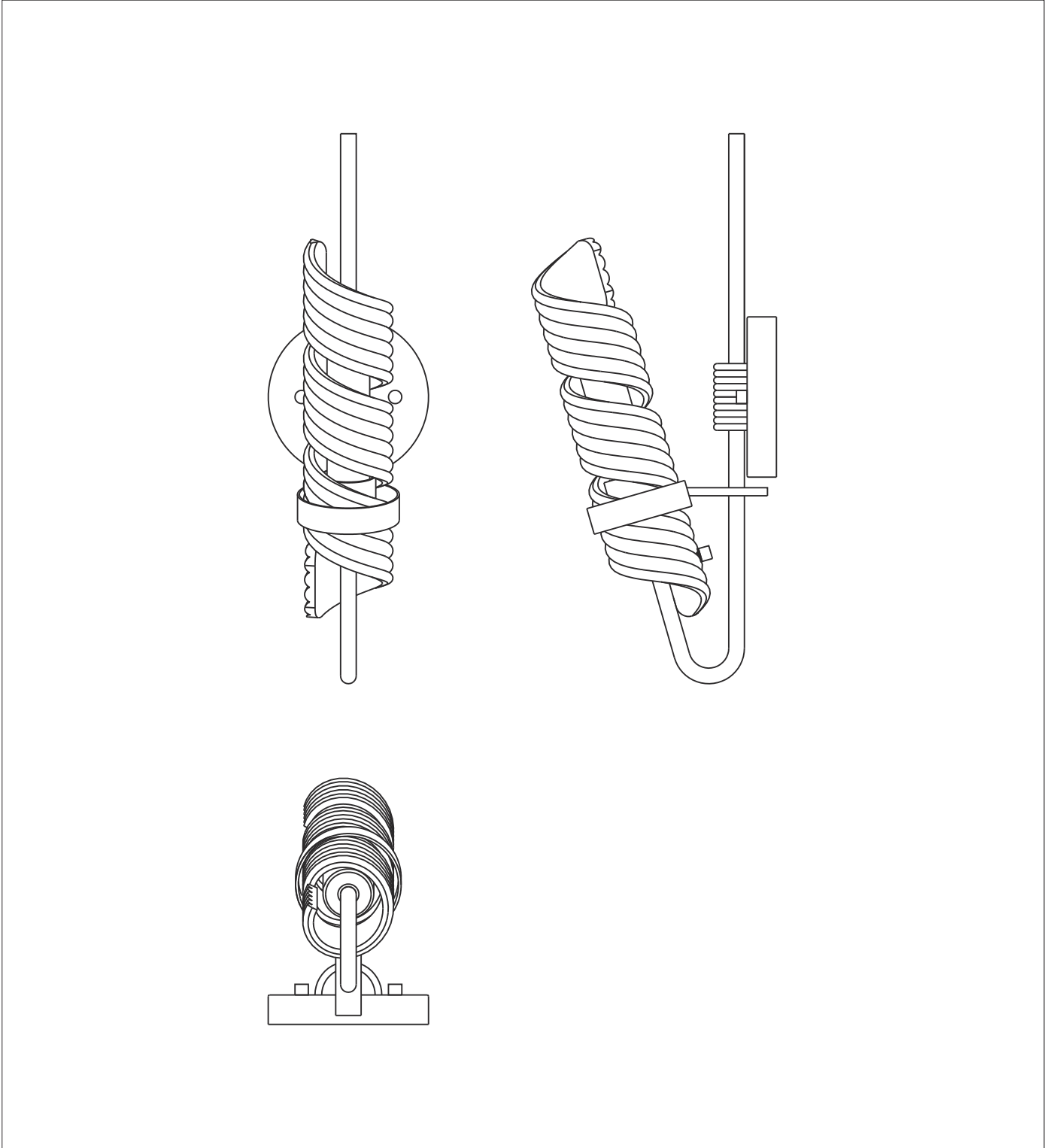




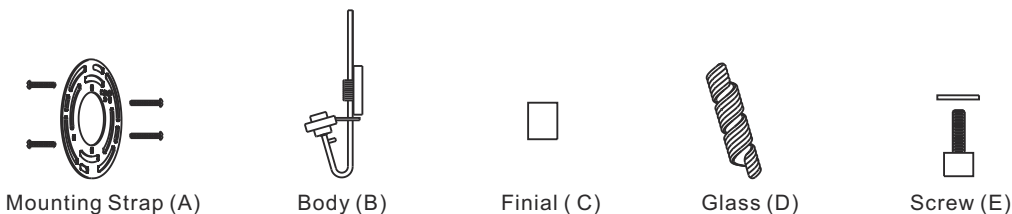
PRODUCT NAME: Milano 1 Light Wall Sconce
ITEM NUMBER: 39551CLPN

Please consult your electrician for hanging fixture and wiring.

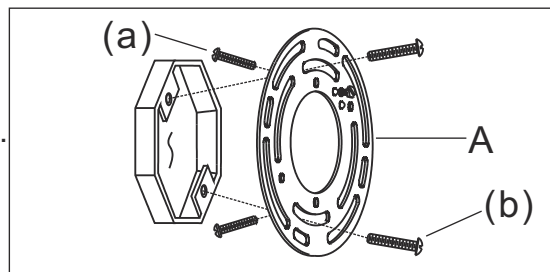
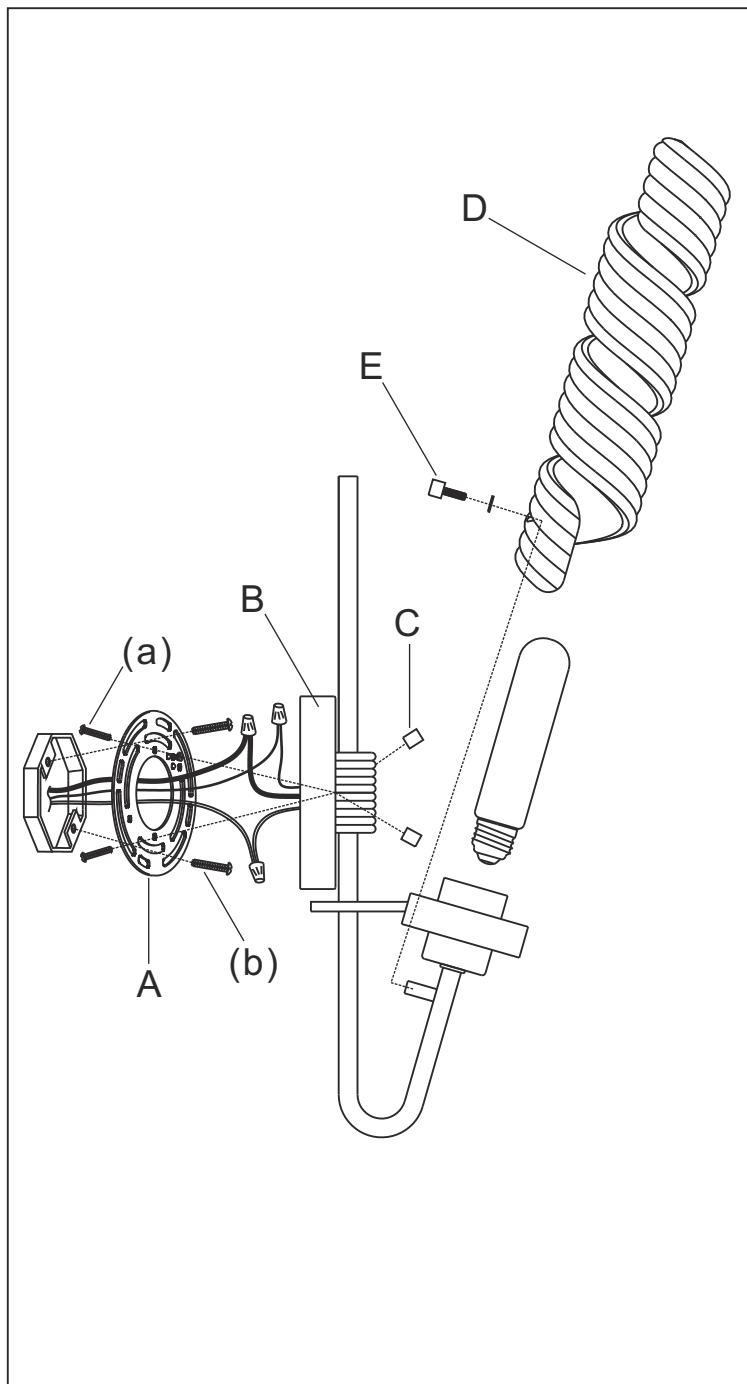


MB T10 1x60W

IMPORTANT: Turn off the power at the main fuse or circuit breaker box before starting installation.

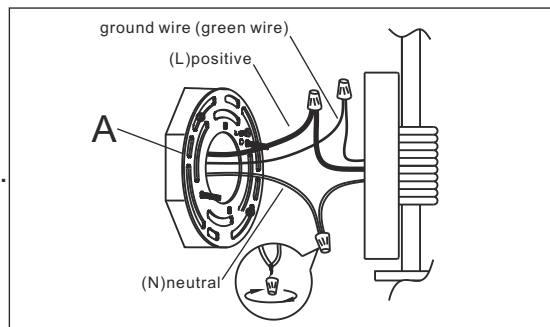


Locate all hardware & components before discarding packaging



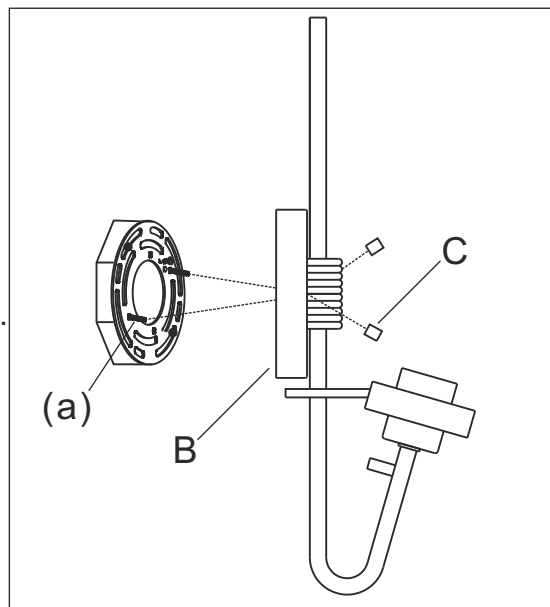
1).

Step.1: Thread the mounting screws (a) into the matching holes in the mounting strap (A). Attach mounting strap (A) to junction box using screws (b).



2).

Step.2: Wire fixture to wires in junction box. Copper wire is for Ground.



3).

Step.3: Slide body (B) over screws (a) and secure with finials (C). Install light bulb. Place glass (D) over the socket, and then secure glass with screw (E).

Cleaning & Care:

Clean with soft cloth and a mild detergent.
Do not use abrasive cleaner.