

**\*\*\*READ & SAVE THESE INSTRUCTIONS \*\*\***  
**ACCESS LIGHTING**  
**MODEL 20375MG**  
**INSTALLATION & OPERATION INSTRUCTIONS**

1. TOOLS AND MATERIALS REQUIRED

- ❖ STAR SCREW DRIVER
- ❖ ADJUSTABLE WRENCH
- ❖ WIRE CUTTERS
- ❖ WIRING SUPPLIES AS REQUIRED BY ELECTRICAL CODE

**Attention:**

**Before assembling your lighting fixture, please read the following instructions. If you feel you do not have sufficient electrical experience, refer to a do-it-yourself wiring handbook or have your fixture installed by a qualified licensed electrician.**

2. GENERAL

1. To ensure the success of the installation, be sure to read these instructions and review the diagrams thoroughly before beginning.
2. All electrical connections must be in accordance with local codes, ordinances, or the National Electrical Code. If you are unfamiliar with methods of installing electrical wiring, secure the services of a qualified licensed electrician.
3. These fixtures are intended for mounting to a standard 4" x 2 ¼" deep metal octagon outlet box. The box must be directly supported by the building structure and U.L. Recognized.
4. Before commencing with the installation, **disconnect the power by turning off the circuit breaker** or by removing the fuse at the fuse box. Turning the power off using the light switch is not sufficient to prevent electrical shock.

**NOTE:**

*The important safeguards and instructions appearing in this manual are not meant to cover all possible conditions and situations that may occur. It must be understood that common sense, caution and care, are factors that cannot be built into any product. The person(s) caring for and operating the fixture must supply these factors.*

3. UNPACKING THE FIXTURE

On checking the contents of the box you will find:

- ❖ Glass shade
- ❖ Metal Ring
- ❖ Cover
- ❖ Back Plate
- ❖ Crossbar
- ❖ Mounting Hardware
- ❖ 1 x GU-24/13W

4. PREPARE THE FIXTURE

*Refer to figure 1 for illustration of fixture parts and assembly.*

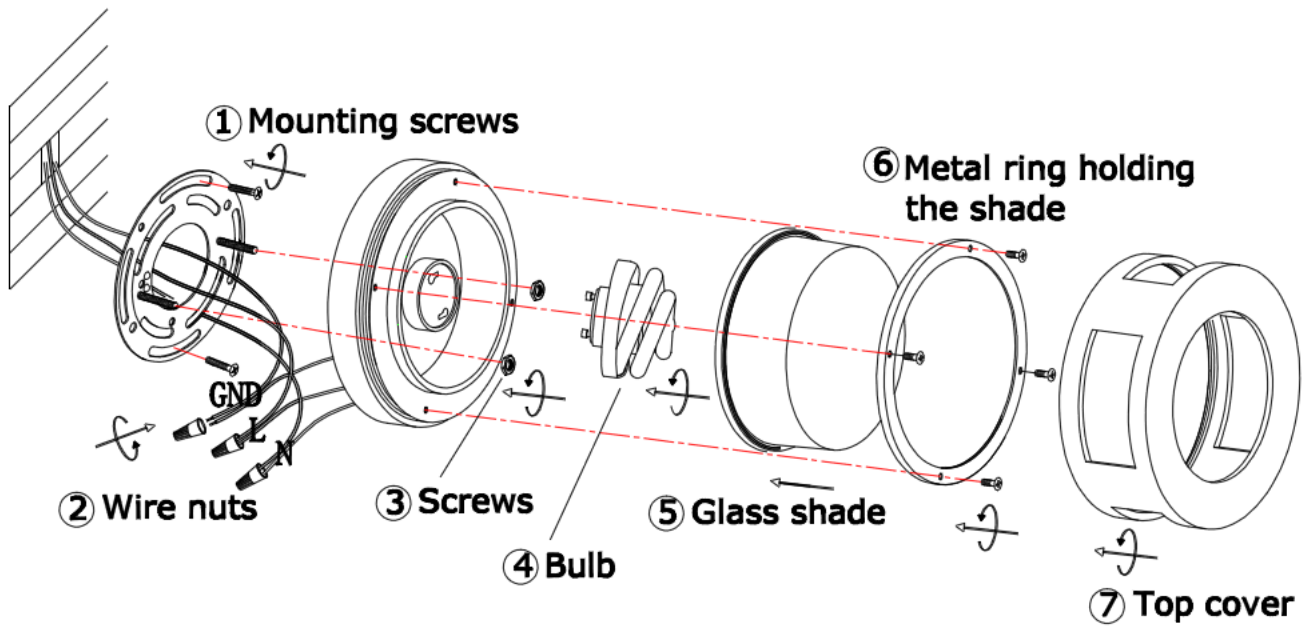
1. If you are replacing an existing fixture, disconnect and remove the old fixture. Expose the supply wiring from the outlet box.
  2. Screw the supplied **Crossbar** to the junction box using the supplied **Screws (1)**.
  3. Gently pull the supply wires through the center hole in the **Crossbar**. Slide the fixture wires through the hole in the **Back Plate**.
  4. Connect the **Black wire** from the fixture to the **Black supply wire** and the **White fixture wire** to the **White supply wire**, fasten securely with supplied **Wire Nuts (2)** and secure **Wire Nuts** with UL listed electrical tape (not supplied).
  5. Connect the **Green Ground Wire** from the fixture to the **Electrical Supply Ground Wire**, or attach the ground wire directly to the **Ground Screw** on the **Crossbar**. Fasten securely with supplied **Wire Nuts (2)** and secure wire nuts with UL listed electrical tape (not supplied). **Tuck all wires carefully into the J-Box.**
  6. Attach the **Back Plate** to the **Crossbar** with the supplied **Screws (3)**.
  7. Insert the **GU-24 Bulbs**.
- DO NOT EXCEED THE WATTAGE AS INDICATED BY THE WARNING LABEL.**
8. Use **Metal Ring (6)** to secure the **Glass shade (5)** by the provided screws.
  9. Twist the **Top Cover (7)** to secure the back plate unit.
  10. Restore electricity and check the operation of your new lighting fixture.

**CAUTION:**

- **Ensure that the Fitting is Cool and Switched off, Before Changing Bulb.**
- **Do Not use Bulbs Exceeding Maximum Wattage, As Per Caution Label.**
- **Ensure that the (waterproof) Gasket is in place to prevent water leakage.**



**\*\*\*READ & SAVE THESE INSTRUCTIONS \*\*\***  
**ACCESS LIGHTING**  
**MODEL 20375MG**  
**INSTALLATION & OPERATION INSTRUCTIONS**



**access**  
LIGHTING