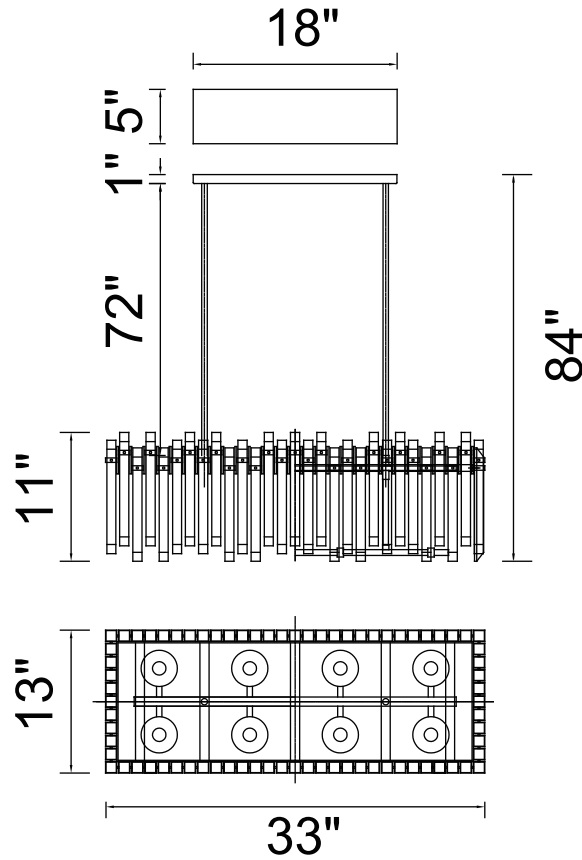




PROJECT: _____
 FIXTURE TYPE: _____
 LOCATION: _____
 CONTACT/PHONE: _____



| | |
|------------|------------------|
| Item | 1065P33-8-601-RC |
| Collection | HENRIETTA |
| Finish | Chrome |
| Glass | ----- |
| Crystal | ----- |
| Input | 120V AC,60HZ,AC |

| | |
|-------------|-------|
| Shade | ----- |
| Length/Dia. | 33" |
| Width/Ext. | 13" |
| Height | 11" |
| Maximum | 84" |
| Lumens | ----- |

| | |
|--------------|--------|
| Light Source | E12 |
| Bulb Info. | 8x60W |
| Included | ----- |
| Dimmable | No |
| Color | ----- |
| Weight | 20.0KG |