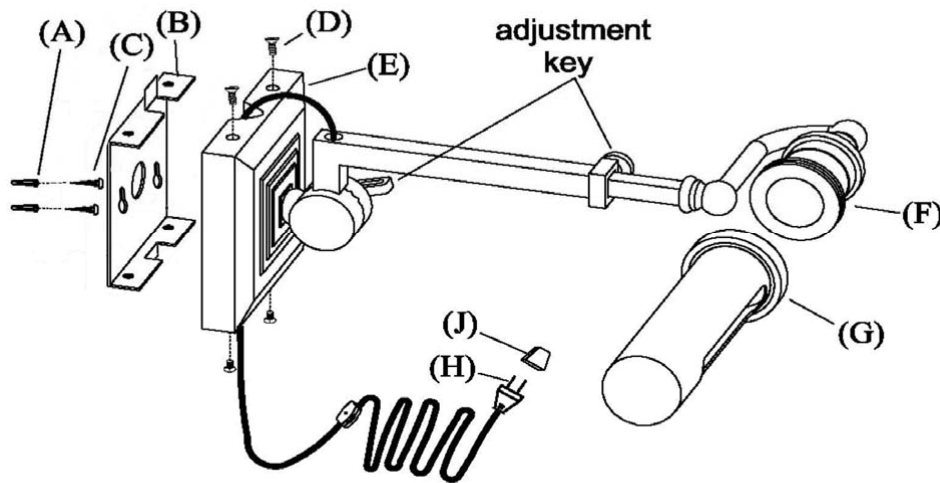


ASSEMBLY INSTRUCTIONS



Academy Map Light

Item # TOB2000

WE RECOMMEND INSTALLATION OF THIS LIGHTING FIXTURE BE DONE BY A LICENSED ELECTRICIAN.

WARNING * SWITCH OFF THE MAIN ELECTRICAL SUPPLY FROM THE MAIN FUSE BOX/CIRCUIT BREAKER BEFORE INSTALLATION.**

INSPECT ITEM CAREFULLY BEFORE ATTEMPTING TO INSTALL. IF THERE IS ANY DAMAGE OR OBVIOUS DEFECT, DO NOT INSTALL.

ITEM MAY NOT BE RETURNED ONCE IT HAS BEEN INSTALLED.

1. Place light unit on the wall at desired height and mark outline position of unit base (E). Use a level to make sure the unit base is level.
2. To detach mounting plate (B) from the light unit by unscrewing base screws (D) in counter-clockwise direction.
3. Place mounting plate (B) onto the wall, align with the pencil marking and mark the centers of the screw holes with the pencil.
4. Drill small holes into your pencil marks on the wall. The holes should be large enough to accommodate the plastic anchors (A). Push the plastic anchors into the holes in the wall.
5. Attach the mounting screws (C) into plastic anchors (A) in clockwise direction.
6. Gently secured mounting plate (B) and unit base (E) together by base screws (D). Make sure cord is in the both slot on parts (B) & (E), otherwise the cord will be damaged.
7. Position light unit on the wall. Make sure the mounting screws (C) be secured onto the narrow terminals of keyhole slots at mounting plate (B).
8. Shade (G) secure to lamp holder (F) by physical fit.
9. Insert light bulb (NOT INCLUDED) into lamp holder.
10. Remove red plastic (J) from electrical plug (H). Plug lamp into wall outlet.
11. ADJUSTMENT INSTRUCTIONS
 1. Loosen adjustment keys found on lamp stem in counter-clockwise directions.
 2. Adjust height or direction to desired position.
 3. Tighten the adjustment break in clockwise directions.

