

Stock Code: **23781LEDDL P-MWH**

Collection: Ford

PRODUCT INFORMATION

Base: 23781 Parent: 23781LEDDL P
Mounting Type: Ceiling UPC: 641594249378
Finish: Matte White
Diffuser: N/A

PRODUCT MEASUREMENTS

FIXTURE	BACKPLATE / CANOPY
Length:	Length
Width:	Width:
Diameter 14.25"	Diameter:
Height: 12.5"	Height:
Extension:	
Overall Height: 16.5-132.5"	

TECHNICAL SPECIFICATIONS

SPECIFICATIONS

Frame Material: Steel
Diffuser Material: Steel
Lamping Type: E-26 (Replaceable LED Jbox: Standard
Lamping Base: E-26 Lamp Wattage: 10 W
Lamp Quantity: 1 Total Wattage: 10 W
Voltage: 120v Lamps Included: Yes

QUALIFICATIONS

Location Rating: Damp
Certification: UL (US/Canada) Listed
ADA Compliant: No Energy Star: No
JA8 Compliant: Yes Emergency Lighting: No
Marine Grade Finish: No
Warranty: 1 Year

PHOTOMETRICS

Dimmable: Yes Nominal Lumens 800 Lm
CRI: 90 Delivered Lumens: N/A
CCT: 3000K
Recommended Dimmers:
(TRIAC)LEGRAND Titan CD703-PW; (MLV)COOPER Aspire 9530SW; (ELV)LUTRON Skylark SELV-300P; (ELV)LUTRON Maestro CL MACL-153M; (TRIAC)LUTRON Ariadni/Toggler TGCL-153P; (TRIAC)LEVITON Trimatron 6684; (TRIAC)I FVITON Decora Sureslide 6674; (TRIAC)I FVITON

ADDITIONAL NOTES

10 feet of white cord included; Custom Finish 5 Piece Minimum Order Quantity

Project Name: _____

Location: _____

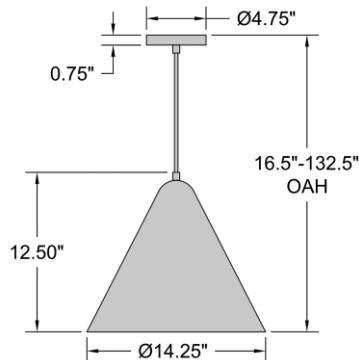
Type: _____

Quantity: _____

Notes: _____



LINE DRAWING



IES FILE

In addition to Access Lighting's purchase and warranty terms and conditions, by signing below or placing an order, you agree that you are authorized to bind the entity placing any order and acknowledge the following: All of sizes and measurements are approximate and all images are for illustrative purposes only. In the event of an inconsistency, the "Product Measurements" section controls. There also may be slight differences in the colors and designs compared to the displayed and printed images.

Signature: _____

Print Name _____ Date: _____

Toll Free 800-828-5483 www.AccessLighting.com

14410 Myford Road, Irvine, CA 92606

The information is subject to change without notice. 3/23/2023 23781LEDDL P-MWH.pdf

