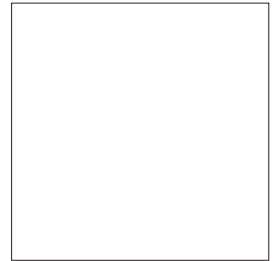
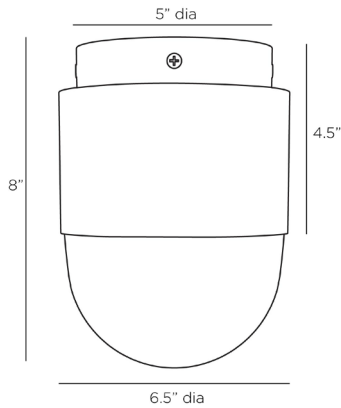


ARTERIO RS

ALLENTOWN FLUSH MOUNT



DFC06
H: 8 IN, Dia: 6.50 IN
English Bronze, Opal Glass
Contract Suitable As Is

With its simple stepped design and turned metal construction, the Allentown adds a touch of sophisticated industrial design. Its sturdy iron construction is elevated with an elegant finish of English bronze, centered with a cylinder of opal glass. Damp-rated, although limited covered outdoor conditions may affect finish.

APPEARANCE

Material Glass, Iron
Finish Opal
Top Coat/Sealant true

DIMENSIONS

Base H: 4.5 IN
Canopy H: 1 IN, Dia: 5.00 IN

WIRING

Rating Damp
Suggested Bulb Type G16.5
Cord 0.5 FT, Black/White, SVT
Socket 1, Type A - E26
Photographed Bulb 2" Frosted Globe Bulb
Maximum Watt 60
Voltage 110-120 V

CERTIFICATIONS

Certifications Mexico
United States, Canada

COMPLIANCY

UL/ETL Yes
RoHS true

SHIPPING

Product Weight 4.3 LBS
Gross Weight 1 8 LBS
Shipping Box 1 H: 8.9 IN, L: 15.8 IN, W: 7.3 IN

REPLACEMENT PARTS

Replacement Part 1 DFC07GLS

CONTRACT

Contract Suitable true