

! WARNING

**DISCONNECT POWER BEFORE RELAMPING OR WIRING THE FIXTURE.
READ ALL INSTRUCTIONS COMPLETELY BEFORE STARTING INSTALLATION.**

! CAUTION

- TO AVOID THE RISK OF FIRE OR SHOCK, FIXTURE MUST BE INSTALLED IN COMPLIANCE WITH ALL APPLICABLE NATIONAL AND LOCAL ELECTRICAL/BUILDING CODES.
- INSTALLATION AND MAINTENANCE OF THIS UNIT REQUIRES AN ELECTRICIAN OR CERTIFIED FACTORY TRAINED TECHNICIAN.
- If an existing fixture is being replaced, remove it and note to which of the wires in the outlet box the fixture was attached. DO NOT SEPARATE ANY OTHER WIRES THAT MAY BE IN THE BOX. DO NOT DAMAGE THE INSULATION OF OLDER WIRING. In regular circumstances the BLACK wire will be the "Hot" lead wire and the WHITE wire will be the "Neutral" or "Common" lead wire. A GREEN or BARE COPPER wire is the "Ground". In older buildings it is always good practice to reconfirm the polarity of the wiring.

NOTICE

- The important safeguards and instructions outlined on this sheet cannot cover all possible conditions and situations that may occur. It must be understood that common sense, caution and care are factors that cannot be built into any product. Caution and care must be supplied by the person(s) installing, operating and caring for this lighting fixture.
- This fixture is designed to be mounted on a correctly installed standard round or octagon box or a through outlet box with a plaster frame. The box must be securely mounted to the structure of the building. The mounting bar and hardware supplied should be used. Directly mounting the fixture to the outlet box may make it impossible to correctly align the fixture.
- NOTE: For your safety be certain that the circuit breakers controlling outdoor lighting and equipment are GFI breakers.

FIXTURE PREPARATION

1. Remove the fixture, parts and parts bag(s) from the carton.

NOTICE:

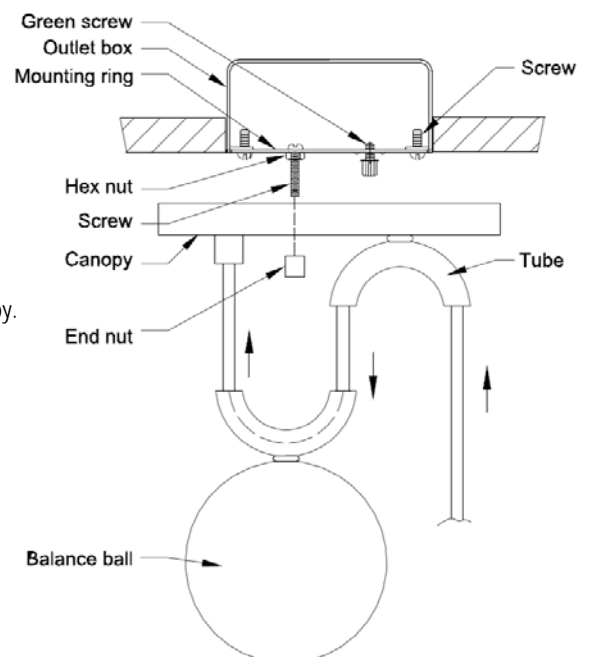
Before discarding the carton, double check to make certain that all parts are found.

FIXTURE INSTALLATION

1. Thread the 2 longest screws into the mounting ring and the hex nut onto the screws (The green ground screw is the front). Attach the mounting ring to the outlet box. (The green screw should face the floor).
2. Thread the small hex nuts onto the screws. Adjust the screws so that they extend 3/16" beyond the back of the fixture, Lock the hex nuts against the crossbar.
3. Determine the overall desired length of the fixture. Thread the cord through tubes. Guide the leads and ground wire to the canopy. Measure 6" of lead and ground wire beyond the center of the fixture. Cut off excess wire. Strip the insulation off the ends of the leads exposing approx. 1/2" of wire. Twist the strands of wire together.
4. Fasten the ground wire to the green or bare copper wire in the outlet box or to the green screw on the crossbar.

! WARNING

Never fasten the ground wire to the black or "hot" wire!
Failure to follow this instruction could result in serious injury or death!

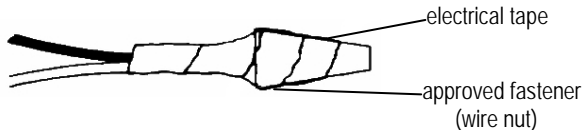


- Fasten the white fixture lead wire to the white wire in the outlet box. Fasten the wires together with an approved fastener (wire nut). Starting about 1" below the fastener, Tightly wrap the connection with electrical tape so that the connection seals the end of the fastener.



WARNING

Make sure that there is no exposed wire or strands that could cause a dangerous short circuit!



- Connect the black fixture lead wire to the black wire in the outlet box. Fasten the joined wires as in step 5.
- Using the end nut, fasten the canopy to the mounting ring.
- Install the LED diffuser.
NOTE: This fixture is rated for Max 24 watt type LED diffuser .(Include).



WARNING

DO NOT EXCEED RECOMMENDED WATTAGE!

- Install the glass into the fitter with thumb screw.
- Adjust the balance ball and keep it in place.
- Restore power to circuit at breaker or fuse box.

