

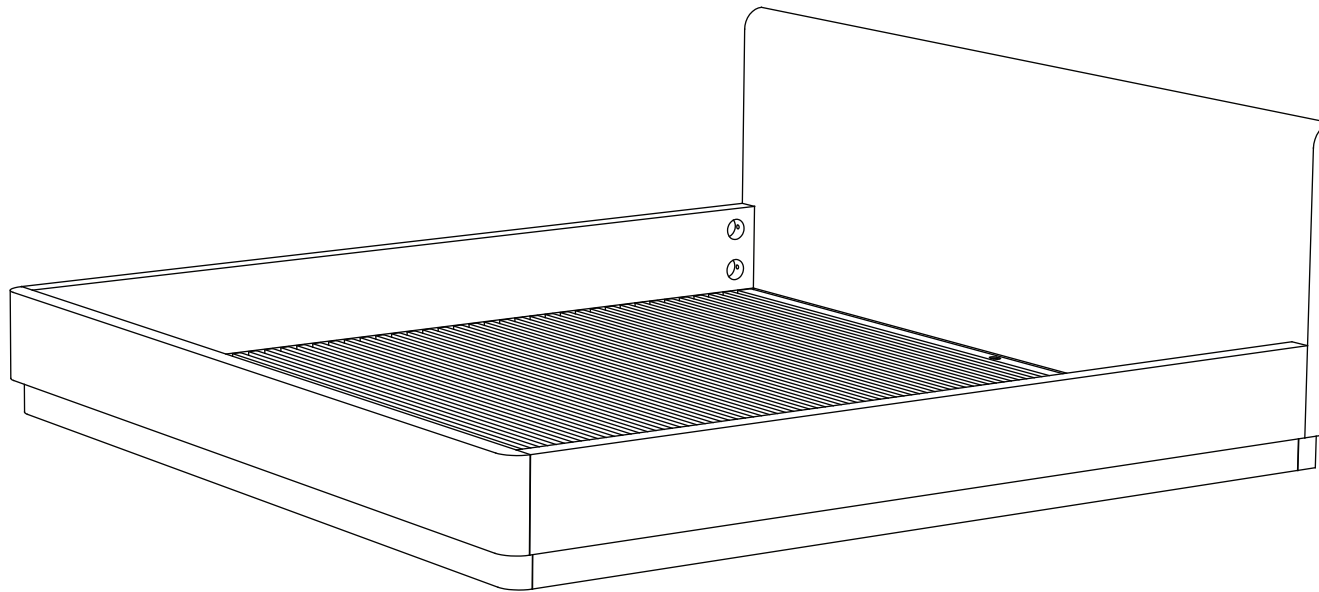
# MOE'S

home collection

## **ASSEMBLY INSTRUCTIONS .**

ROUND OFF QUEEN BED WALNUT

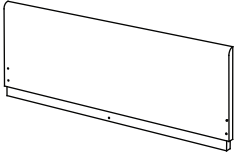
YR-1005-03



THANK YOU FOR YOUR PURCHASE !

## PARTS AND HARDWARE .

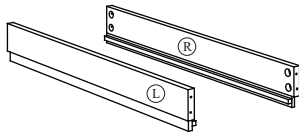
1. HEADBOARD x 1



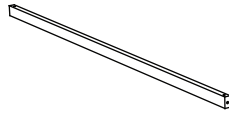
2. FOOTBOARD x 1



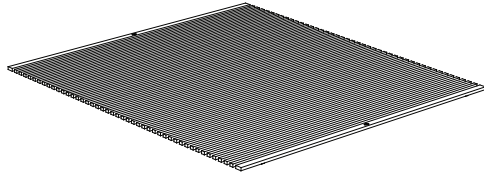
3. LEFT SIDERAIL x 1  
RIGHT SIDERAIL x 1



4. SUPPORT BAR x 1



5. SLAT x 1



A. HALF MOON x 8PCS



B. HEX NUT M8 x 8PCS



C. WRENCH M13 x 1PCS



D. WOODEN DOWEL x 2PCS



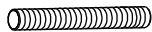
E. ALLEN KEY M4 x 1PCS



F. BOLT (M6x25) x 2PCS



G. THREAD BOLT (M8x80) x 8PCS

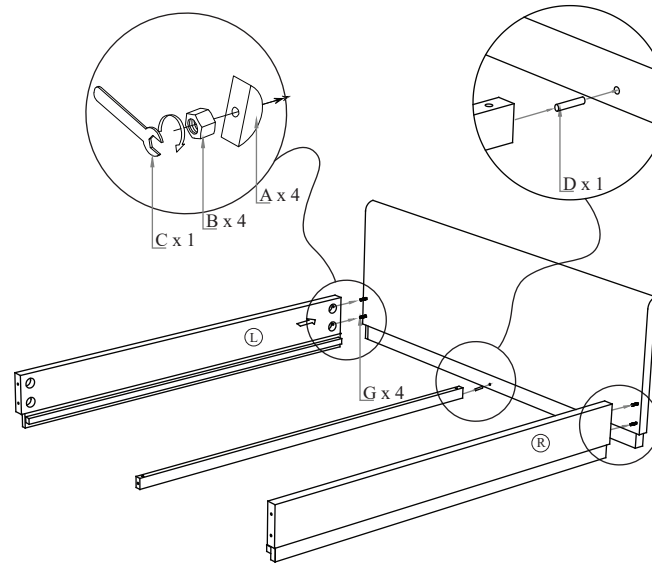


## NOTES.

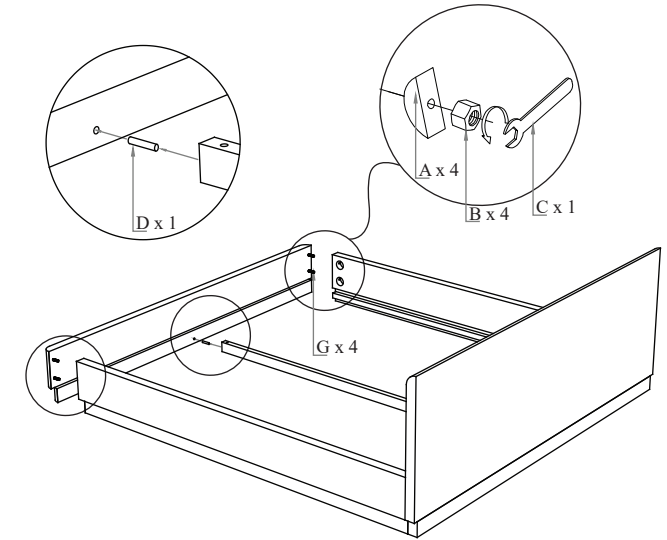
Thank you for purchasing this quality product !  
Be sure to check all packing material carefully  
for small part that may have come loose inside  
the carton during shipping.

**CAUTION:**The item is heavy, assembly should  
be performed by two people.

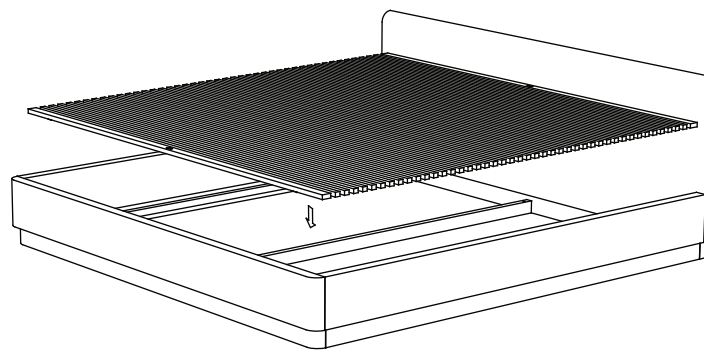
## STEP 1.



## STEP 2.



## STEP 3.



## STEP 4.

