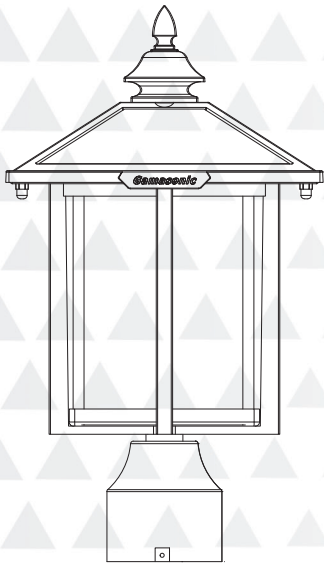
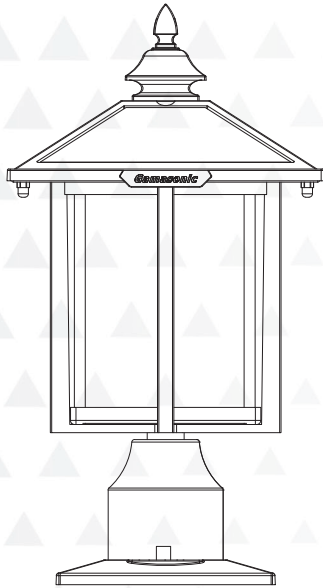


GAMA SONIC®

SOLAR LIGHTING



3" FITTER



PIER MOUNT

CASITA SOLAR LIGHT

3" FITTER/PIER MOUNT

Part #: 58i50023

US Patent #7172307

Version 1.1

 Please read the instruction manual carefully to obtain the best results from your purchase.

Thank you for your purchase. GAMA SONIC® solar charged lights are brighter and last all night with a typical solar charge. Unique design, superior light output and numerous installation options confirm the outstanding value of our product.

GAMA SONIC® has been recognized as a worldwide leader in the lighting industry for over 20 years. The company also offers unique products from multi-purpose solar lamps to emergency lighting products.

**For technical assistance and more information call our Toll-Free number:
800-835-4113 (only within the US)**

Or

**visit our website or download the latest version of your instruction manual:
www.gamasonic.com Or www.gamasonic.com/user-guides**

Gama Sonic's New Inverted Pyramid

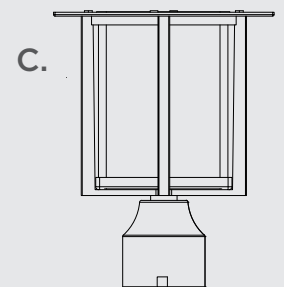
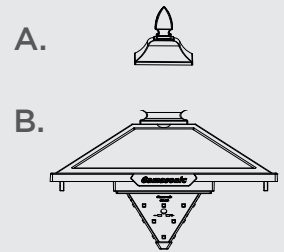
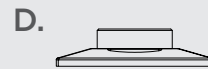
Gama Sonic's NEW Inverted Pyramid helps disperse more light by directing the LED's towards the exterior of the lamp. This helps to shine light out and down from the glass to better illuminate the area surrounding the lamp.

Solar Lamp Location

For optimum light duration throughout the night, it is very important to mount your solar lamp in a spot where it will receive the maximum amount of direct sunlight throughout the day.

What's In The Box:

- A. Finial
- B. Solar lamp top
- C. Fixture
- D. Pier base



Assembly Instructions

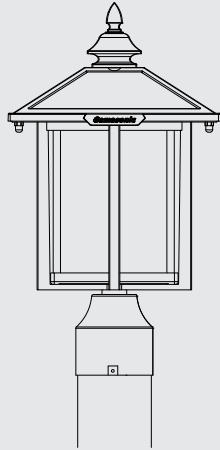
3" Fitter Mount

NOTE: If you are replacing an existing gas/electric post light, you must consult a certified technician to disconnect them before installation.

- Slide the fixture (C) over your existing 3" post.
- Tighten the set screws to secure the lamp in place.

NOTE: Do not over-tighten the set screws.

- Follow the Operation Instructions to turn the lamp on.



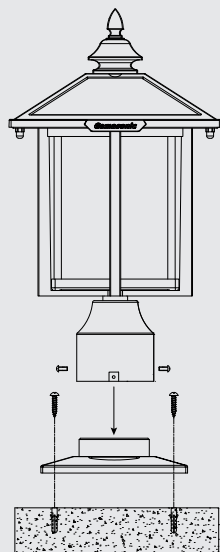
Pier Base Mount

Note: There are specific types of screws for specific surfaces. If unsure of the appropriate type of screw to use on your desired surface, please consult a professional.

- Using the pier base (D) as a template, mark where the holes will need to be.
- Drill holes no larger than the included anchors.
- Place the anchors into the holes and secure the pier base (D) using the provided screws.
- Attach the fixture (C) to the pier base (D) by tightening the set screws.

NOTE: Do not overtighten the set screws.

- Follow the Operation Instructions to turn the lamp on.



Operation Instructions

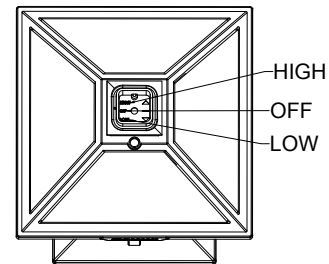
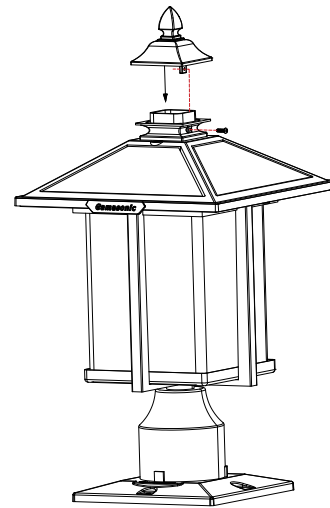
• Remove the finial (A) from the lamp by removing the set screw.

Locate the switch on the top of the solar lamp top (B) and move it to one of the following positions:

- Low = Softer light and longer duration
- High = Brighter light output

• Place the finial (A) on top of the solar lamp top (B) and secure using the set screw.

• Your lamp will now operate automatically at dusk.



Replacement Parts

Replacement Batteries are available at www.gamasonic.com or via our Toll Free number: +1-800-835-4113.

**Each of your lamps uses the following battery:
GS32V30**



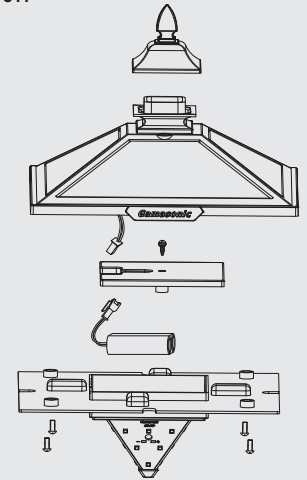
Replacing the Battery

GAMA SONIC®
SOLAR LIGHTING

Batteries are available for purchase at www.gamasonic.com

This lamp can accommodate an optional second battery. A second battery can be added to increase duration only if your lamp receives more than 4 hours of direct sunlight each day.

1. Remove the solar lamp top (B) from the fixture (C) by removing the two screws underneath the top (B).
2. Remove the set screw from the finial (A) then remove the finial and switch the lamp to the OFF position.
3. On the underside of the top (B) remove the four outer screws.
4. Open the panel that was unscrewed and remove the small screw in the center on the other side.
5. Remove the battery compartment cover and unclip the connector for the battery.
6. Make sure the new battery is a 3.2V/3000mAh Li-Ion battery with matching connector (Item# GS32V30).
7. Clip in the new battery and install the battery in the compartment.
8. Reassemble the lamp by reversing steps 1-5.
9. Assemble the lamp back on the post by reversing steps 1 and 2.



MAINTENANCE

Clean the solar panels regularly with a damp towel to guarantee optimum performance. Do not use any type of solvent for cleaning and be careful not to put too much pressure on the solar panels while cleaning.

TROUBLESHOOTING

If your solar light does not come on as expected despite observance of all the instructions, please try the following steps:

1. Make sure that the solar lamp is not being affected by any other light source.
2. Ensure the solar lamp is not positioned in the shade during the day.
3. Check that the batteries are installed correctly.

NOTE: The performance of the solar lamp will vary with the time of year. It will last longer when it has had a full day in the sun rather than a day in overcast weather.



WINTERTIME TIPS: For optimal performance, be sure to remove any snow or debris accumulation from solar panel(s). A solar panel free of debris will charge the batteries much more efficiently.



WARNING: Please keep out of reach of children. Do not dispose of Li-Ion battery in the regular trash, municipal waste stream or by fire as batteries may leak or explode. Do not open, short circuit, or mutilate batteries as injury may occur. Preserve our environment by recycling Li-Ion batteries or disposing of them in accordance with local, state and federal regulations. Do not mix old and new batteries.