

**STEP 4 - Install Backplate to Ceiling**

A. Place **Backplate** over the Mounting bracket(DD). Line up the hole on the **Backplate** and the mounting hole on the Mounting bracket, secure by threading Mounting Screw (CC) into the Mounting bracket (DD), tighten until snug.

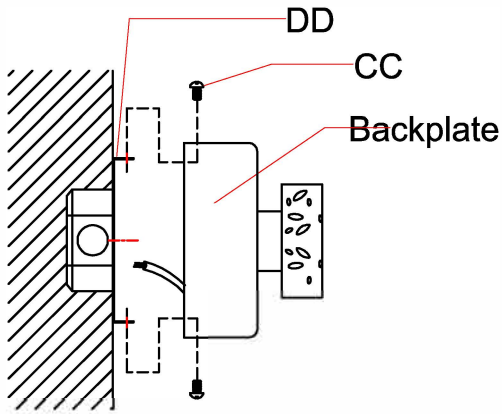


Figure 4

**STEP 5 - Install Glass.**

A. Put the Glass(B) on the Fixture Body slot.

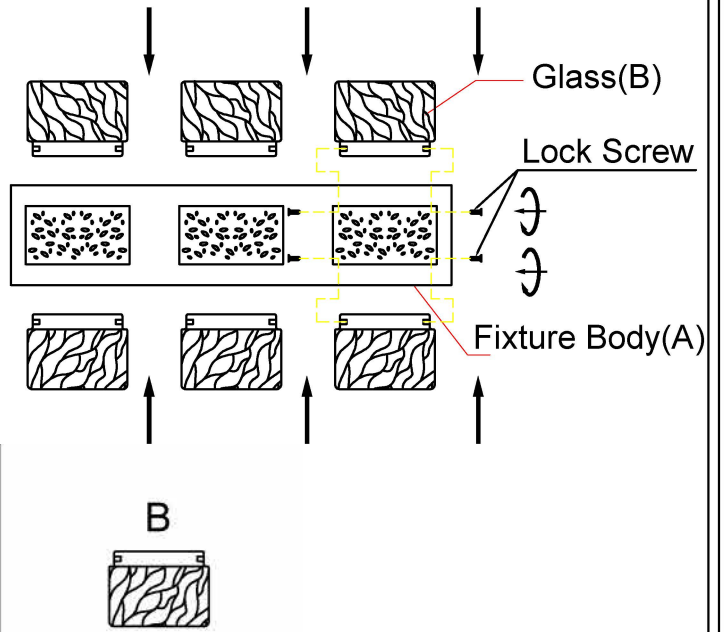


Figure 5