

ASSEMBLY INSTRUCTIONS

ITEM DESCRIPTION:

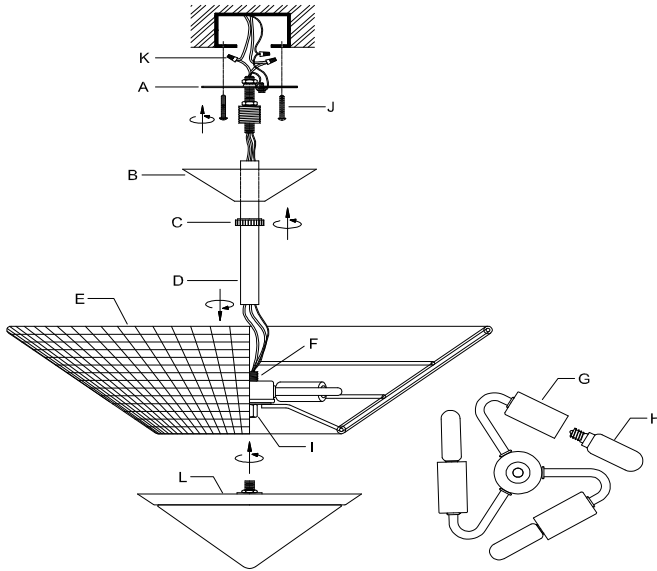
ITEM NO.: DFC13 NAME: Calista Flush Mount

MATERIAL TYPE: Rattan FINISH: Natural

SOCKET TYPE: E12 SOCKET QTY: 3

BULB WATTAGE: 60 W/13W CFL/8W LED

VOLTAGE: 110-120 V ITEM NET WEIGHT: 11.8LBS



PARTS INCLUDED:

Mounting Plate (A)	Qty: 1 Pc	Threaded nipple (F)	Qty: 1 Pc
Canopy (B)	Qty: 1 Pc	Sockets (G)	Qty: 3 Pcs
Collar Loop (C)	Qty: 1 Pc	Bulb (not incl) (H)	Qty: 3 Pcs
Rod (D)	Qty: 1 Pc	Hexnut (I)	Qty: 1 Pc
Hex Screws (E)	Qty: 1 Pc	Alabaster shade (L)	Qty: 1 Pc

HARDWARE INCLUDED:

Mounting Screws (J)	Qty: 2 Pcs
Plastic Wire Connector (K)	Qty: 3 Pcs

TO INSTALL YOU WILL NEED:

- 2 people recommended
- Phillips Screwdriver

These instructions are provided for safety. It is very important that they are read carefully and completely before beginning installation.

We strongly suggest that all hard-wired fixtures must be installed by a professional electrician.



TO ASSEMBLE:

1. Shut off the main electrical supply from the main fuse box/circuit breaker.
2. Carefully unpack all fixture parts and hardware and lay them on a soft surface for assembly.
3. Please be sure you have all parts indicated before you begin assembly.
4. Gently pull wiring down from ceiling junction box and allow to hang.
5. Screw the rod (D) to lamp body threaded nipple (F) by clockwise direction till tight.
6. Remove the mounting plate (A) from the canopy (B) by unscrewing the collar loop (C) in a counter clockwise direction.
7. Insert 3 type t 60w bulb (H) (or cfl 13w or led 8w, not included) into the sockets (G). **Do not exceed specified wattage.**
8. Screw the alabaster shade (L) to lamp body hexnut (I) by clockwise direction till tight.
9. Pull the electrical cord of jbox through the exit hole of the mounting plate.
10. Carefully inspect the pendant's fixture wires. Neutral fixture wire: white hot fixture wire: black ground wire: green
11. Wrap ground wire of lamp assembly and ground wire of junction box together and fasten together with a plastic wire connector (K) and wrap the connection with electrical tape. If your outlet box does not have a ground wire, insert the green ground screw into the mounting plate (A) facing down, and wrap the fixture's bare ground wire around the ground screw.
12. Attach the neutral fixture wire from the pendant to the neutral junction box wire (usually white). Fasten each together with a wire connector(K) and wrap the connection with electrical tape.
13. Attach the hot fixture wire from the pendant to the to the hot junction box wire (usually black). Fasten each together with a plastic wire connector (K) and wrap the connection with electrical tape. Be sure no wire strands are exposed. **Do not reverse the hot and neutral connections or safety will be compromised.**
14. Gently tuck the wire connections neatly into the ceiling junction box.
15. Attach the mounting plate (A) with nipple to the ceiling outlet box using the enclosed mounting screws (J) and tighten screws with a screwdriver.
16. Push collar loop (C) upto canopy (B) and tighten onto nipple in mounting plate (A) by turning in a clockwise to secure canopy.
17. Restore power to the junction box and test fixture.

CARE INSTRUCTIONS:

Wipe with a soft, dry cloth. To protect finish, avoid the use of chemicals and household cleaners.

For customer service questions call 1-800-338-2150

ARTERIO RS