

SCHONBEK  
*Beyond*

Schonbek, 61 Industrial Blvd, Plattsburgh, New York, 12901  
Phone: 1-800-836-1892 | Fax: 518-563-4228 |  
[www.schonbek.com](http://www.schonbek.com)

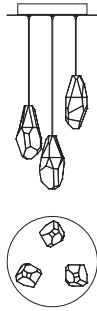
## ASSEMBLY & INSTALLATION INSTRUCTIONS

### Fixture

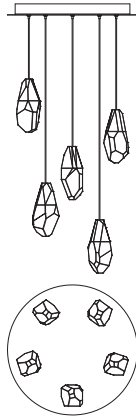
BPD20203 / BPD20205 / BPD20209



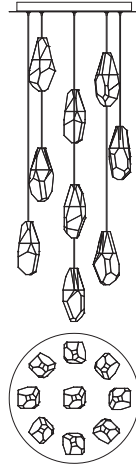
BPD20203



BPD20205



BPD20209



#### WARNING

IMPORTANT: NEVER attempt any work without shutting off the electricity.

- o Read all instructions before installing.
- o System is intended for installation in accordance with the National Electrical Code (NEC), other applicable installation code(s) and local regulations by a licensed electrician familiar with the operation of the product and the hazards involved.
- o Go to the main fuse box, or circuit breaker panel. Place the main power switch in the "OFF" position and unscrew the fuse (s) or switch "OFF" the circuit breaker switch (es) that control the power to the fixture (s) or room that you are working on.
- o Place the wall switch in the "OFF" position.
- o FAILURE TO INSTALL THIS FIXTURE IN ACCORDANCE WITH THESE INSTRUCTIONS MAY RESULT IN SERIOUS PERSONAL INJURY OR DEATH AND/OR PROPERTY DAMAGE.

#### CAUTION

- o All parts must be used as indicated in these instructions. Do not substitute any parts, leave parts out, or use any parts that are worn out or broken. Failure to follow this instruction could invalidate the ETL/CETL Listing of this fixture.
- o When handling the fixture, do not apply pressure to the LEDs or bulbs. Hold the fixture by the base only.
- o Do not exceed maximum wattage noted on the fixture. Use only the recommended LED or standard lamps with the fixture.

#### ADVERTENCIA

IMPORTANTE: NUNCA trate de hacer ningún trabajo sin desconectar la electricidad.

- o Lea todas las instrucciones antes de instalar.
- o El sistema tiene por objeto la instalación de acuerdo con el Código Eléctrico Nacional, y otros códigos de instalación y reglamentos locales aplicables, por parte de un electricista autorizado que esté familiarizado con el funcionamiento del producto y los peligros involucrados.
- o Vaya a la caja de fusibles o al panel de disyuntores principal. Ponga el interruptor principal de alimentación en la posición de "APAGADO", y desenrosque los fusibles o "DESCONECTE" los disyuntores que controlen la alimentación a los dispositivos o la habitación en los que usted esté trabajando.
- o Ponga el interruptor de pared en la posición de "APAGADO".
- o EL HECHO DE NO INSTALAR ESTE DISPOSITIVO DE ACUERDO CON ESTAS INSTRUCCIONES PODRÍA RESULTAR EN UNA LESIÓN PERSONAL GRAVE O LA MUERTE, Y/O DAÑOS A LA PROPIEDAD.

#### PRECAUCIÓN

- o Todas las piezas deben usarse como se indica en estas instrucciones. No sustituya ninguna pieza, no deje piezas fuera, ni utilice ninguna pieza que esté desgastada ni rota. El hecho de no seguir estas instrucciones podría invalidar la certificación ETL/CETL de este dispositivo.
- o Al manipular el dispositivo, no aplique presión a los LED ni las bombillas. Sujete el dispositivo solo por la base.
- o No exceda la potencia máxima indicada en el dispositivo. Use solo los LED o las bombillas estándar recomendados con el dispositivo.

#### ADVERTENCIA

IMPORTANTE: NUNCA trate de hacer ningún trabajo sin desconectar la electricidad.

IMPORTANT : Ne JAMAIS entreprendre des travaux sans couper l'électricité.

- o Lire toutes les instructions avant l'installation.
- o Ce système est conçu pour être installé conformément au Code national de l'électricité ou d'autres codes d'installation et réglementations locales en vigueur par un électricien agréé connaissant le fonctionnement de ce produit et les dangers qu'il comporte.
- o Aller à la boîte à fusibles ou panneau principal de disjoncteurs. Placer l'interrupteur d'alimentation principal sur « ARRÊT » et dévisser le ou les fusibles ou mettre sur « ARRÊT » le ou les disjoncteurs qui contrôlent l'alimentation du ou des appareils électriques ou de la pièce dans laquelle vous travaillez.
- o Mettre l'interrupteur mural sur « ARRÊT ».
- o NÉGLIGER D'INSTALLER CET APPAREIL CONFORMÉMENT À CES INSTRUCTIONS RISQUE D'ENTRAÎNER DE GRAVES BLESSURES PERSONNELLES OU LA MORT AINSI QUE DES DOMMAGES MATÉRIELS.
- o MISE EN GARDE
- o Toutes les pièces doivent être utilisées comme indiqué dans ces instructions. Ne remplacer aucune pièce, ne laisser aucune pièce de côté ou n'utiliser aucune pièce usée ou cassée. Le non-respect de cette directive peut invalider l'homologation ETL/CETL de cet appareil.
- o Lors de la manipulation de cet appareil, n'appliquer aucune pression sur les DEL ou les ampoules. Maintenir l'appareil par la base uniquement.
- o Ne pas dépasser le nombre de watts maximum indiqué sur l'appareil. N'utiliser que les DEL ou ampoules standard recommandées dans cet appareil.

# ASSEMBLY & INSTALLATION INSTRUCTIONS

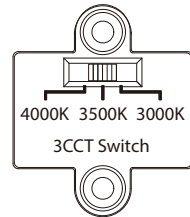


Fixture  
MARTINI-BPD20203 / BPD20205 / BPD20209

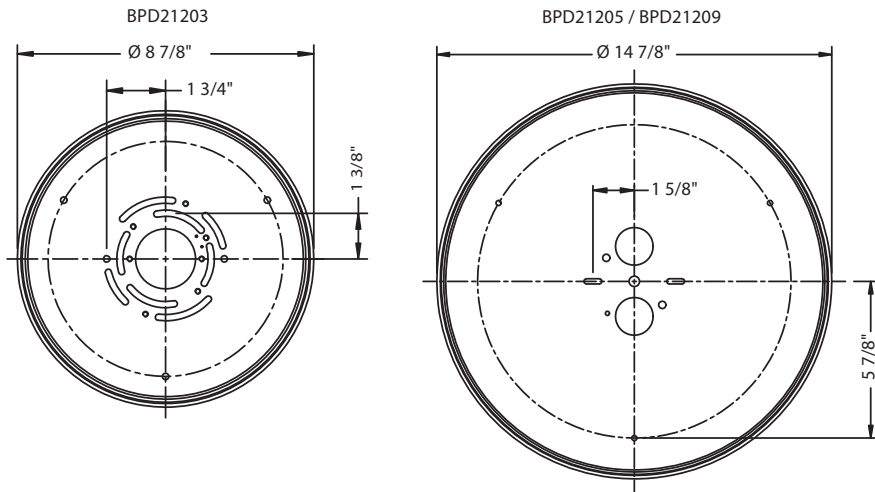
**Fig. 2 Wiring**

	<b>Fixture Wires</b> Black or Smooth	<b>House Wires</b> Black (Live)
	<b>Fixture Wires</b> White or Ribbed	<b>House Wires</b> White (Neutral)
	<b>Fixture Wires</b> Bare wire (Ground)	<b>House Wires</b> Green or Bare Copper (Ground)

**Fig. 3 Switch**



## CEILING PLATE Dimensions



## HARDWARE

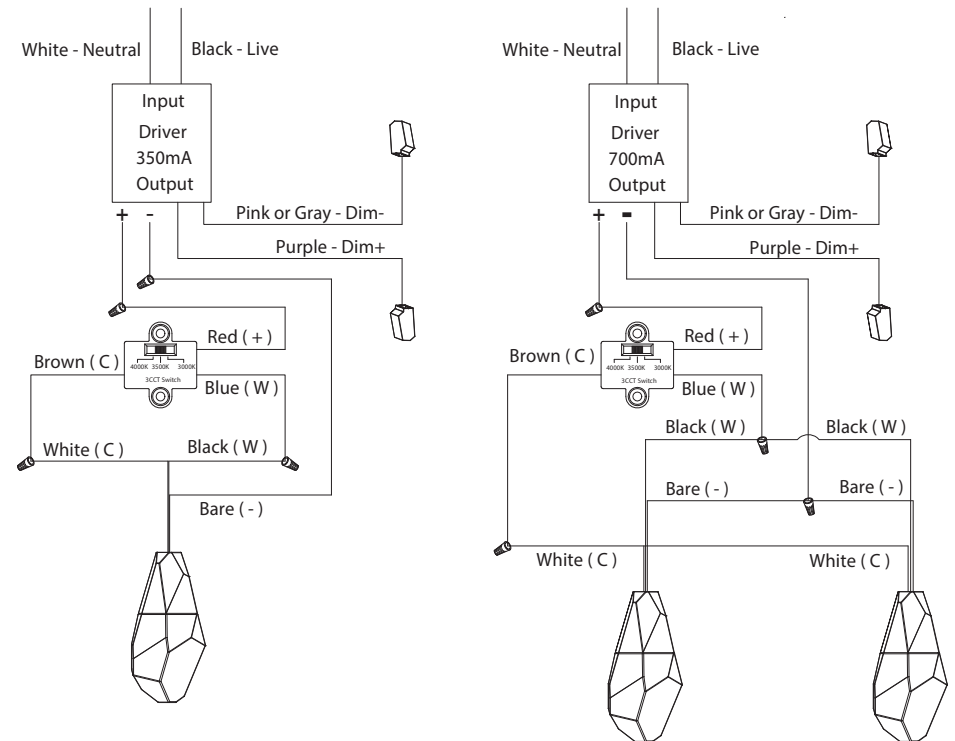
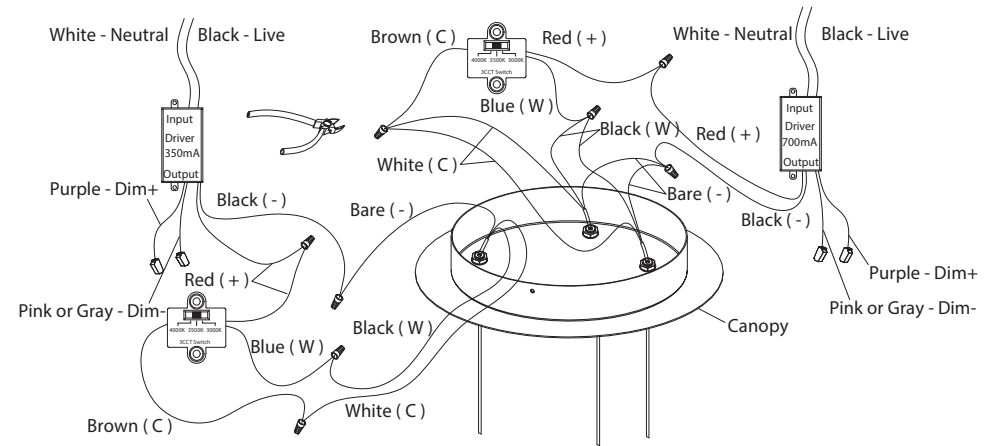
- A** Wire Connector  
Qty: 3pcs+1 Extra
- B** Wire Connector (P1)  
Qty: 4pcs+1 Extra
- C** Canopy Screw  
Qty: 1 Extra
- D** Anchor Screw  
Qty: 2pcs+1 Extra
- E** Plastic Anchor  
Qty: 2pcs+1 Extra

# ASSEMBLY & INSTALLATION INSTRUCTIONS



Fixture  
BPD20203 / BPD20205 / BPD20209

**Fig. 4 Wire Diagram**



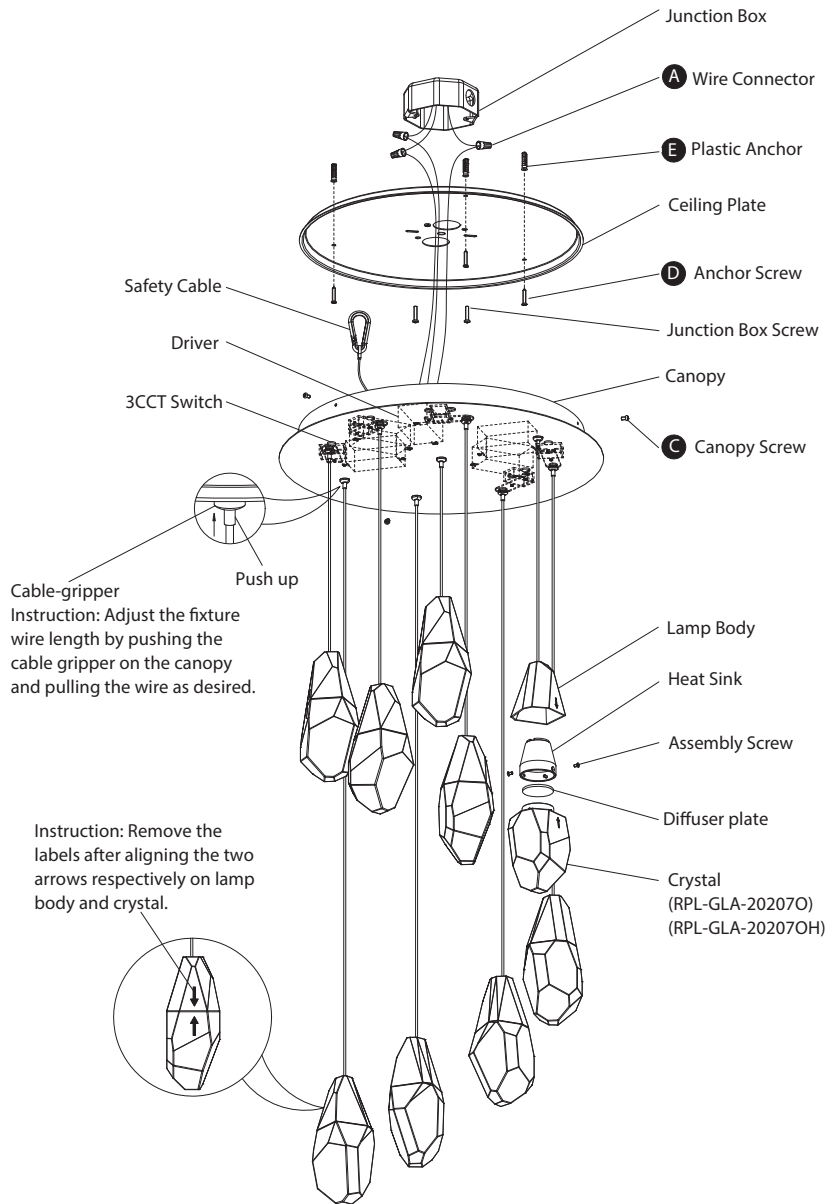
## ASSEMBLY & INSTALLATION INSTRUCTIONS

### Fixture

BPD20203 / BPD20205 / BPD20209

SCHONBEK  
*Beyond*

Fig. 1



## ASSEMBLY & INSTALLATION INSTRUCTIONS

### Fixture

BPD20203 / BPD20205 / BPD20209

SCHONBEK  
*Beyond*

### PREPARATION

1. Shut off the power at the circuit breaker and remove existing fixture, including the crossbar.
2. Carefully unpack your new fixture and lay out all the parts in a clear area. Be careful not to lose any small parts necessary for installation.

### MOUNTING FIXTURE (Fig. 1)

3. Remove the canopy screw (C) from the ceiling plate.
4. Set color temperature at this stage. The fixture can switch between three color temperatures (3000k, 3500k, 4000k), which can be adjusted to your preference using the 3CCT switch (Fig. 3) mounted in the canopy.
5. Adjust the fixture wire length by pushing the cable gripper on the canopy and pulling the wire as desired.
  - a) Before securing the canopy in place, it is recommended to retract or extend the wire within the canopy to a desirable length.
  - b) Due to limited room within the canopy, shorten excess wires as necessary to make the installation easier. Make sure to identify and label all the wiring properly before any trimming/shortening. (Fig. 4)
6. Drill holes in the ceiling aligned with the key holes located in the ceiling plate. Insert the plastic anchors (E).
7. Secure the ceiling plate to the junction box using the original junction box screws. Fasten the ceiling plate to the wall with the plastic anchors using the anchor screws (D) provided.
  - (i) It is recommended to use only original junction box screws or replacements provided by junction box manufacturer.
  - (ii) The side of the ceiling plate marked "GND" must face out towards the installer.

### CONNECTING THE WIRES (Fig. 2 , Fig. 4)

8. Connect the driver's output wires to fixture and 3CCT switch as shown in Fig. 4 using wire connectors (B). Note wire colors carefully. Make sure that all wire connectors are secured, then tuck them into the canopy.
9. Attach the safety cable to the bracket on the ceiling plate to temporarily hang the fixture in place and aid in wiring.
10. Connect the driver's input wires to junction box wires as shown in Fig. 2/Fig. 4 using wire connectors (A) provided. Ensure wire connectors are secure. Connect the fixture's ground wire to the ground in the junction box; this will be either a green wire or a bare copper wire. After fixture is wired to house wires, tuck wires carefully inside the junction box.

### COMPLETING INSTALLATION (Fig. 1)

11. Lift the fixture and mount against the ceiling plate. Line up ceiling plate tabs with holes in canopy. Install canopy screws (C).
12. Secure the crystals to the heat sink using the assembly screw.
  - (i) Using diffuser plate (E) to adjust light diffusion if desired.
  - (ii) Remove the labels after aligning the two arrows respectively on lamp body and crystal.

### (OPTIONAL) DIMMER WIRING (Fig. 2 , Fig. 3)

- This fixture features electronic low voltage (ELV or TRAC) or 0-10V dimming capabilities. See notes below for specific dimming wires information.
- To utilize ELV or TRAC dimming: connect house wires as normal, using black (live), white (neutral) and house green wire or bare copper wire (ground). Do not use dimmer wires on driver for ELV or TRAC dimming.
- To utilize 0-10V dimming: use dimmer wires purple (dim+) and pink or gray (dim-) from driver and connect to corresponding wires in junction box. Connect house wires as normal.
- NOTE: Make sure to connect 0-10V prior to powering up the fixture in order to allow the 0-10V dimming to function properly.

SCHONBEK  
*Beyond*

Schonbek, 61 Industrial Blvd, Plattsburgh, New York, 12901  
Phone: 1-800-836-1892 | Fax: 518-563-4228 |  
[www.schonbek.com](http://www.schonbek.com)

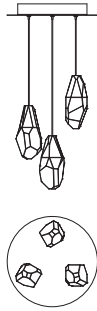
## ASSEMBLY & INSTALLATION INSTRUCTIONS

### Fixture

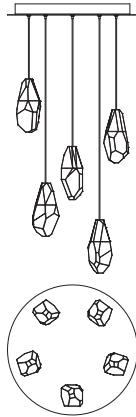
BPD20203 / BPD20205 / BPD20209



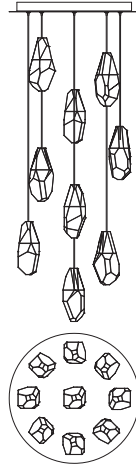
BPD20203



BPD20205



BPD20209



#### WARNING

IMPORTANT: NEVER attempt any work without shutting off the electricity.

- o Read all instructions before installing.
- o System is intended for installation in accordance with the National Electrical Code (NEC), other applicable installation code(s) and local regulations by a licensed electrician familiar with the operation of the product and the hazards involved.
- o Go to the main fuse box, or circuit breaker panel. Place the main power switch in the "OFF" position and unscrew the fuse (s) or switch "OFF" the circuit breaker switch (es) that control the power to the fixture (s) or room that you are working on.
- o Place the wall switch in the "OFF" position.
- o FAILURE TO INSTALL THIS FIXTURE IN ACCORDANCE WITH THESE INSTRUCTIONS MAY RESULT IN SERIOUS PERSONAL INJURY OR DEATH AND/OR PROPERTY DAMAGE.

#### CAUTION

- o All parts must be used as indicated in these instructions. Do not substitute any parts, leave parts out, or use any parts that are worn out or broken. Failure to follow this instruction could invalidate the ETL/CETL Listing of this fixture.
- o When handling the fixture, do not apply pressure to the LEDs or bulbs. Hold the fixture by the base only.
- o Do not exceed maximum wattage noted on the fixture. Use only the recommended LED or standard lamps with the fixture.

#### ADVERTENCIA

IMPORTANTE: NUNCA trate de hacer ningún trabajo sin desconectar la electricidad.

- o Lea todas las instrucciones antes de instalar.
- o El sistema tiene por objeto la instalación de acuerdo con el Código Eléctrico Nacional, y otros códigos de instalación y reglamentos locales aplicables, por parte de un electricista autorizado que esté familiarizado con el funcionamiento del producto y los peligros involucrados.
- o Vaya a la caja de fusibles o al panel de disyuntores principal. Ponga el interruptor principal de alimentación en la posición de "APAGADO", y desenrosque los fusibles o "DESCONECTE" los disyuntores que controlen la alimentación a los dispositivos o la habitación en los que usted esté trabajando.
- o Ponga el interruptor de pared en la posición de "APAGADO".
- o EL HECHO DE NO INSTALAR ESTE DISPOSITIVO DE ACUERDO CON ESTAS INSTRUCCIONES PODRÍA RESULTAR EN UNA LESIÓN PERSONAL GRAVE O LA MUERTE, Y/O DAÑOS A LA PROPIEDAD.

#### PRECAUCIÓN

- o Todas las piezas deben usarse como se indica en estas instrucciones. No sustituya ninguna pieza, no deje piezas fuera, ni utilice ninguna pieza que esté desgastada ni rota. El hecho de no seguir estas instrucciones podría invalidar la certificación ETL/CETL de este dispositivo.
- o Al manipular el dispositivo, no aplique presión a los LED ni las bombillas. Sujete el dispositivo solo por la base.
- o No exceda la potencia máxima indicada en el dispositivo. Use solo los LED o las bombillas estándar recomendados con el dispositivo.

#### ADVERTENCIA

IMPORTANTE: NUNCA trate de hacer ningún trabajo sin desconectar la electricidad.

IMPORTANT : Ne JAMAIS entreprendre des travaux sans couper l'électricité.

- o Lire toutes les instructions avant l'installation.
- o Ce système est conçu pour être installé conformément au Code national de l'électricité ou d'autres codes d'installation et réglementations locales en vigueur par un électricien agréé connaissant le fonctionnement de ce produit et les dangers qu'il comporte.
- o Aller à la boîte à fusibles ou panneau principal de disjoncteurs. Placer l'interrupteur d'alimentation principal sur « ARRÊT » et dévisser le ou les fusibles ou mettre sur « ARRÊT » le ou les disjoncteurs qui contrôlent l'alimentation du ou des appareils électriques ou de la pièce dans laquelle vous travaillez.
- o Mettre l'interrupteur mural sur « ARRÊT ».
- o NÉGLIGER D'INSTALLER CET APPAREIL CONFORMÉMENT À CES INSTRUCTIONS RISQUE D'ENTRAÎNER DE GRAVES BLESSURES PERSONNELLES OU LA MORT AINSI QUE DES DOMMAGES MATÉRIELS.
- o MISE EN GARDE
- o Toutes les pièces doivent être utilisées comme indiqué dans ces instructions. Ne remplacer aucune pièce, ne laisser aucune pièce de côté ou n'utiliser aucune pièce usée ou cassée. Le non-respect de cette directive peut invalider l'homologation ETL/CETL de cet appareil.
- o Lors de la manipulation de cet appareil, n'appliquer aucune pression sur les DEL ou les ampoules. Maintenir l'appareil par la base uniquement.
- o Ne pas dépasser le nombre de watts maximum indiqué sur l'appareil. N'utiliser que les DEL ou ampoules standard recommandées dans cet appareil.

# ASSEMBLY & INSTALLATION INSTRUCTIONS

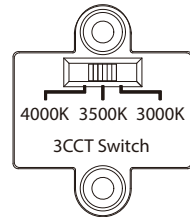


Fixture  
MARTINI-BPD20203 / BPD20205 / BPD20209

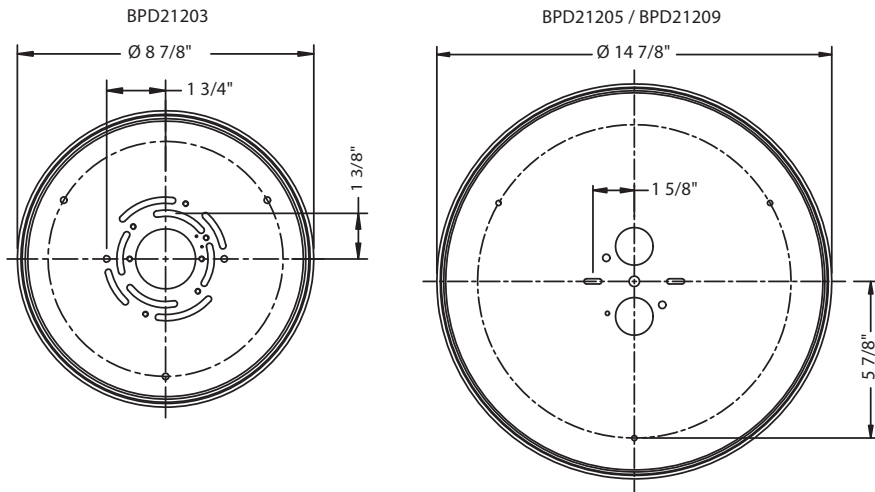
**Fig. 2 Wiring**

	<b>Fixture Wires</b> Black or Smooth	<b>House Wires</b> Black (Live)
	<b>Fixture Wires</b> White or Ribbed	<b>House Wires</b> White (Neutral)
	<b>Fixture Wires</b> Bare wire (Ground)	<b>House Wires</b> Green or Bare Copper (Ground)

**Fig. 3 Switch**



## CEILING PLATE Dimensions



## HARDWARE

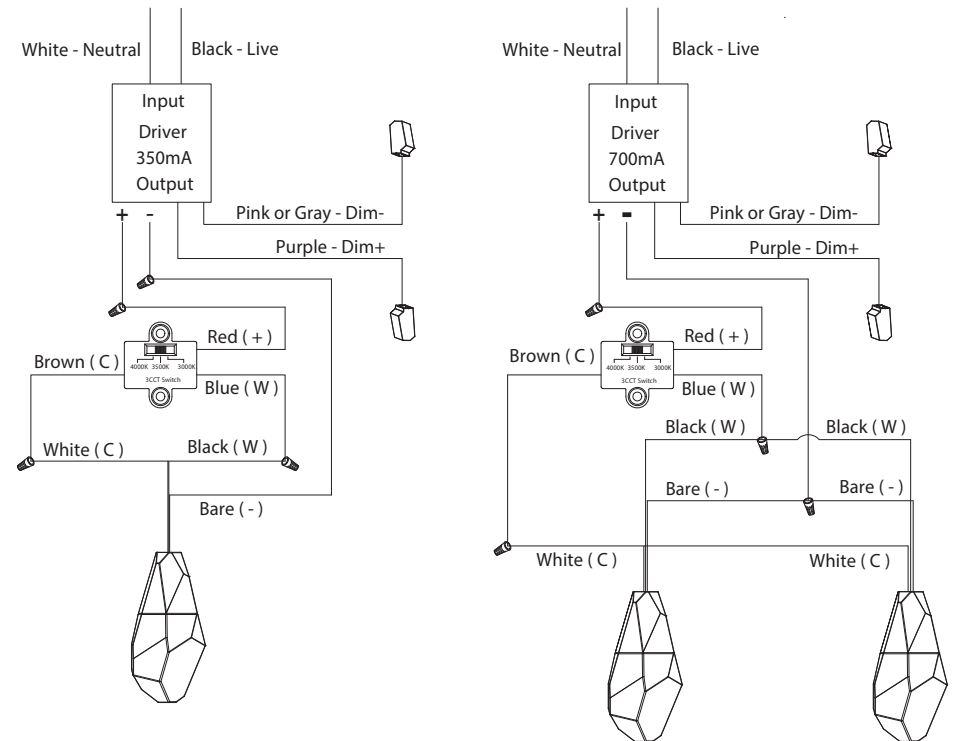
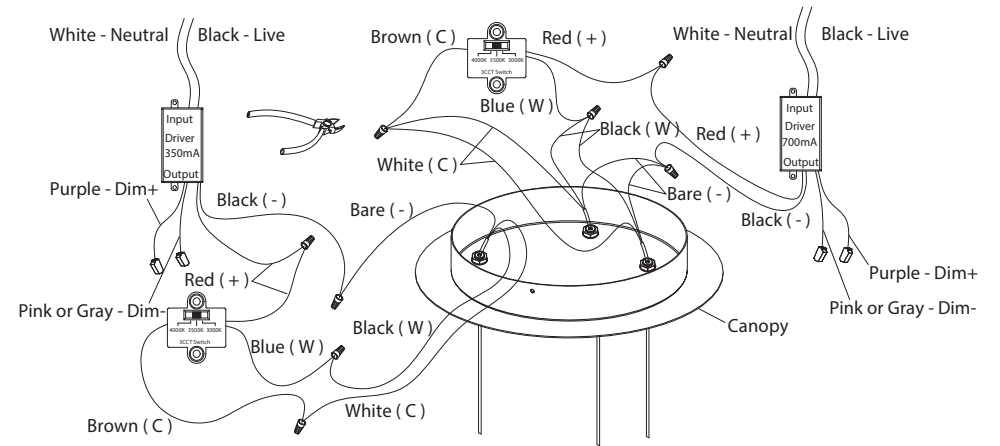
- A** Wire Connector  
Qty: 3pcs+1 Extra
- B** Wire Connector (P1)  
Qty: 4pcs+1 Extra
- C** Canopy Screw  
Qty: 1 Extra
- D** Anchor Screw  
Qty: 2pcs+1 Extra
- E** Plastic Anchor  
Qty: 2pcs+1 Extra

# ASSEMBLY & INSTALLATION INSTRUCTIONS



Fixture  
BPD20203 / BPD20205 / BPD20209

**Fig. 4 Wire Diagram**



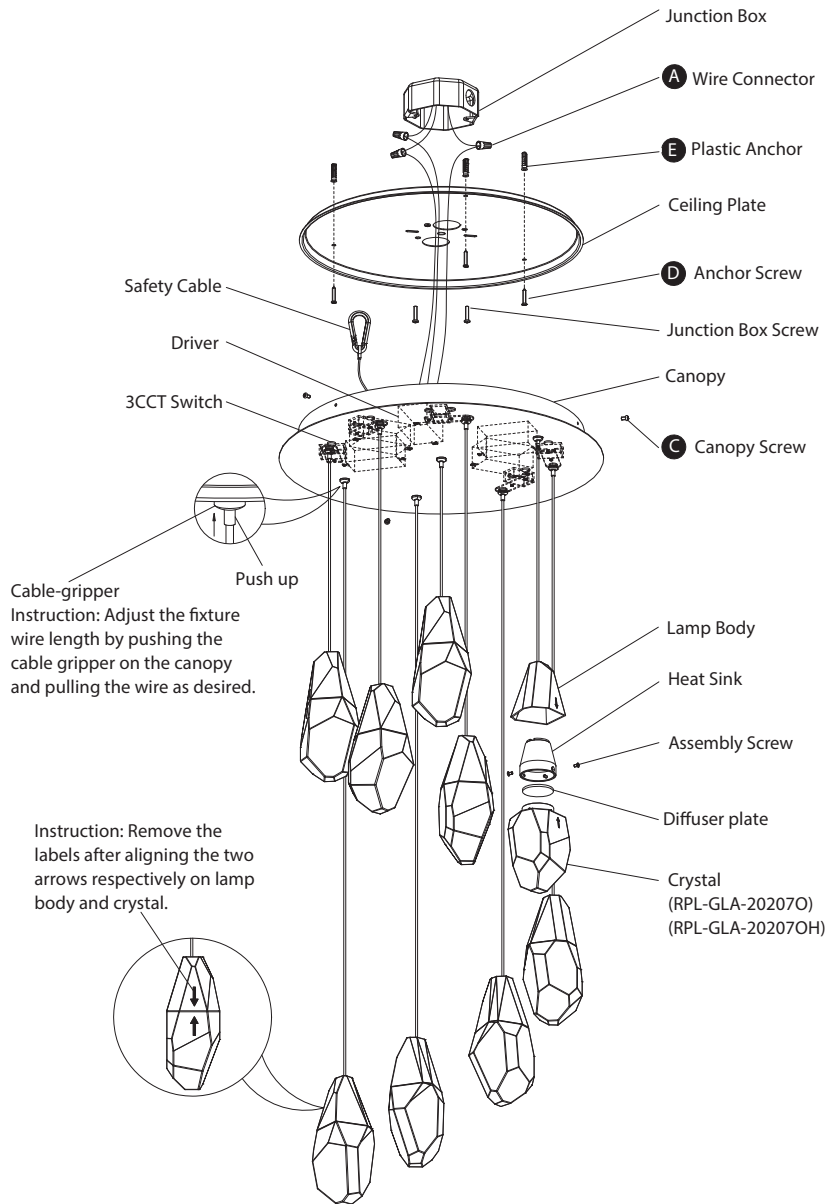
## ASSEMBLY & INSTALLATION INSTRUCTIONS

### Fixture

BPD20203 / BPD20205 / BPD20209

SCHONBEK  
*Beyond*

Fig. 1



## ASSEMBLY & INSTALLATION INSTRUCTIONS

### Fixture

BPD20203 / BPD20205 / BPD20209

SCHONBEK  
*Beyond*

### PREPARATION

1. Shut off the power at the circuit breaker and remove existing fixture, including the crossbar.
2. Carefully unpack your new fixture and lay out all the parts in a clear area. Be careful not to lose any small parts necessary for installation.

### MOUNTING FIXTURE (Fig. 1)

3. Remove the canopy screw (C) from the ceiling plate.
4. Set color temperature at this stage. The fixture can switch between three color temperatures (3000k, 3500k, 4000k), which can be adjusted to your preference using the 3CCT switch (Fig. 3) mounted in the canopy.
5. Adjust the fixture wire length by pushing the cable gripper on the canopy and pulling the wire as desired.
  - a) Before securing the canopy in place, it is recommended to retract or extend the wire within the canopy to a desirable length.
  - b) Due to limited room within the canopy, shorten excess wires as necessary to make the installation easier. Make sure to identify and label all the wiring properly before any trimming/shortening. (Fig. 4)
6. Drill holes in the ceiling aligned with the key holes located in the ceiling plate. Insert the plastic anchors (E).
7. Secure the ceiling plate to the junction box using the original junction box screws. Fasten the ceiling plate to the wall with the plastic anchors using the anchor screws (D) provided.
  - (i) It is recommended to use only original junction box screws or replacements provided by junction box manufacturer.
  - (ii) The side of the ceiling plate marked "GND" must face out towards the installer.

### CONNECTING THE WIRES (Fig. 2 , Fig. 4)

8. Connect the driver's output wires to fixture and 3CCT switch as shown in Fig. 4 using wire connectors (B). Note wire colors carefully. Make sure that all wire connectors are secured, then tuck them into the canopy.
9. Attach the safety cable to the bracket on the ceiling plate to temporarily hang the fixture in place and aid in wiring.
10. Connect the driver's input wires to junction box wires as shown in Fig. 2/Fig. 4 using wire connectors (A) provided. Ensure wire connectors are secure. Connect the fixture's ground wire to the ground in the junction box; this will be either a green wire or a bare copper wire. After fixture is wired to house wires, tuck wires carefully inside the junction box.

### COMPLETING INSTALLATION (Fig. 1)

11. Lift the fixture and mount against the ceiling plate. Line up ceiling plate tabs with holes in canopy. Install canopy screws (C).
12. Secure the crystals to the heat sink using the assembly screw.
  - (i) Using diffuser plate (E) to adjust light diffusion if desired.
  - (ii) Remove the labels after aligning the two arrows respectively on lamp body and crystal.

### (OPTIONAL) DIMMER WIRING (Fig. 2 , Fig. 3)

- This fixture features electronic low voltage (ELV or TRAC) or 0-10V dimming capabilities. See notes below for specific dimming wires information.
- To utilize ELV or TRAC dimming: connect house wires as normal, using black (live), white (neutral) and house green wire or bare copper wire (ground). Do not use dimmer wires on driver for ELV or TRAC dimming.
- To utilize 0-10V dimming: use dimmer wires purple (dim+) and pink or gray (dim-) from driver and connect to corresponding wires in junction box. Connect house wires as normal.
- NOTE: Make sure to connect 0-10V prior to powering up the fixture in order to allow the 0-10V dimming to function properly.