

SATURN

1901SS

LARGE POST TOP OR PIER MOUNT LANTERN

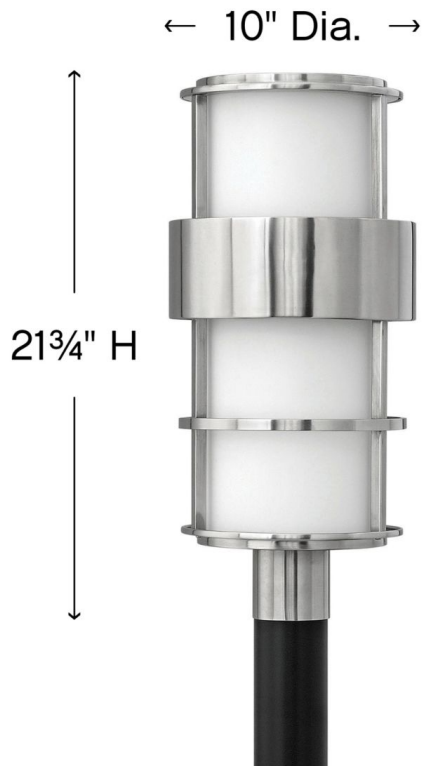
Saturn is a stunning, modern design offering robust construction and intersecting lines that create a striking contrast against the clear seeded glass.

| DETAILS | |
|-----------|----------------------------------------|
| FINISH: | Stainless Steel |
| MATERIAL: | Stainless Steel |
| GLASS: | Etched Opal |
| DIMMABLE: | YES, WITH DIMMABLE LAMP (NOT INCLUDED) |

| DIMENSIONS | |
|------------|-------|
| WIDTH: | 10" |
| HEIGHT: | 21.8" |
| WEIGHT: | 10lb |

| LIGHT SOURCE | |
|---------------|-----------------------------|
| LIGHT SOURCE: | Socketed |
| WATTAGE: | 1-12w Med. LED, 100W Equiv. |
| VOLTAGE: | 120v |

| SHIPPING | |
|----------------|------|
| CARTON LENGTH: | 13.5 |
| CARTON WIDTH: | 13.5 |
| CARTON HEIGHT: | 25 |
| CARTON WEIGHT: | 13 |



PRODUCT DETAILS:

- Suitable for use in wet (outdoor direct rain) locations as defined by NEC and CEC. Meets United States UL Underwriters Laboratories & CSA Canadian Standards Association Product Safety Standards
- 2-year finish warranty
- Bold lines and a clean, minimalist style complement contemporary architecture
- Stainless steel provides superior strength and performance

HINKLEY

HINKLEY
33000 Pin Oak Parkway
Avon Lake, OH 44012

PHONE: (440) 653-5500
Toll Free: 1 (800) 446-5539

hinkley.com