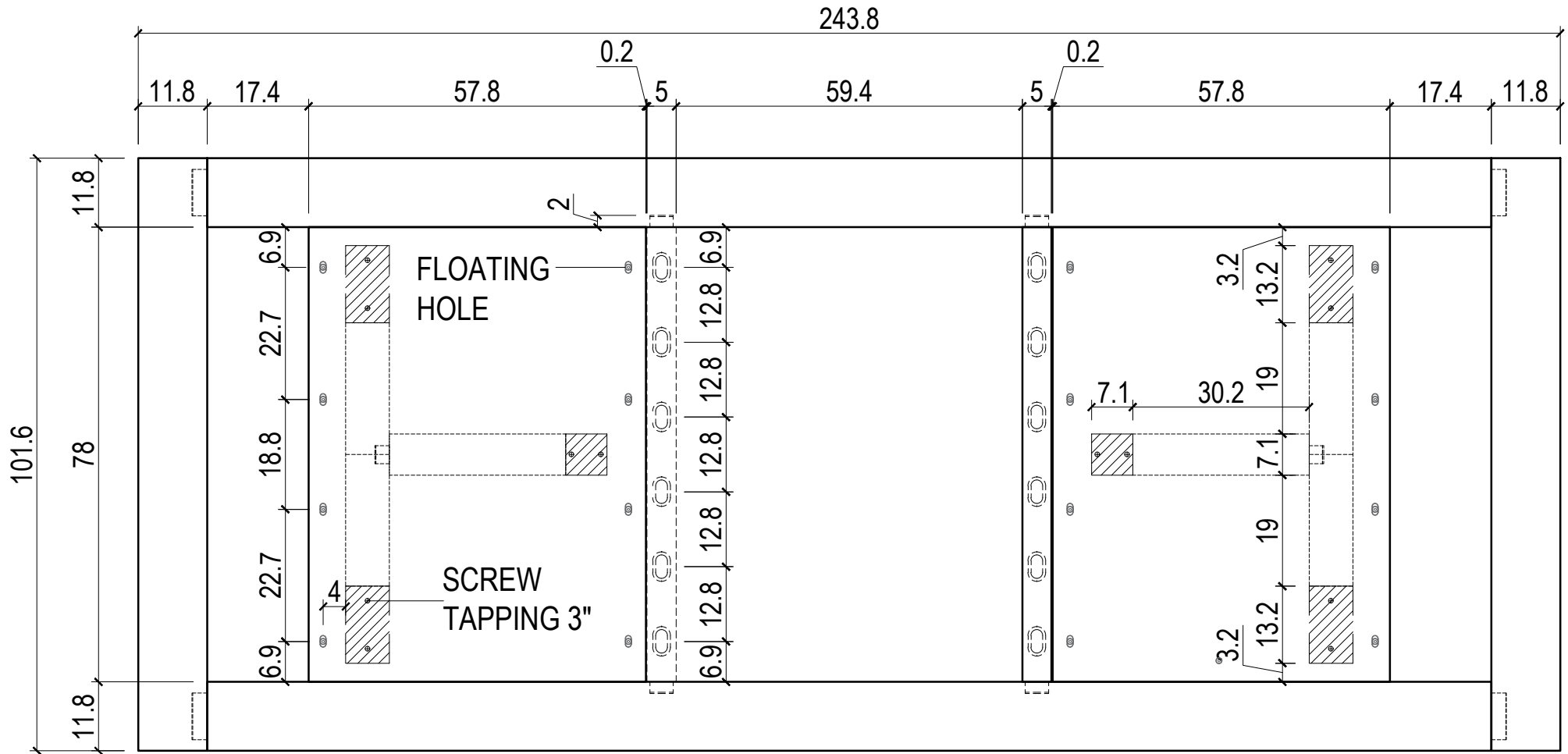


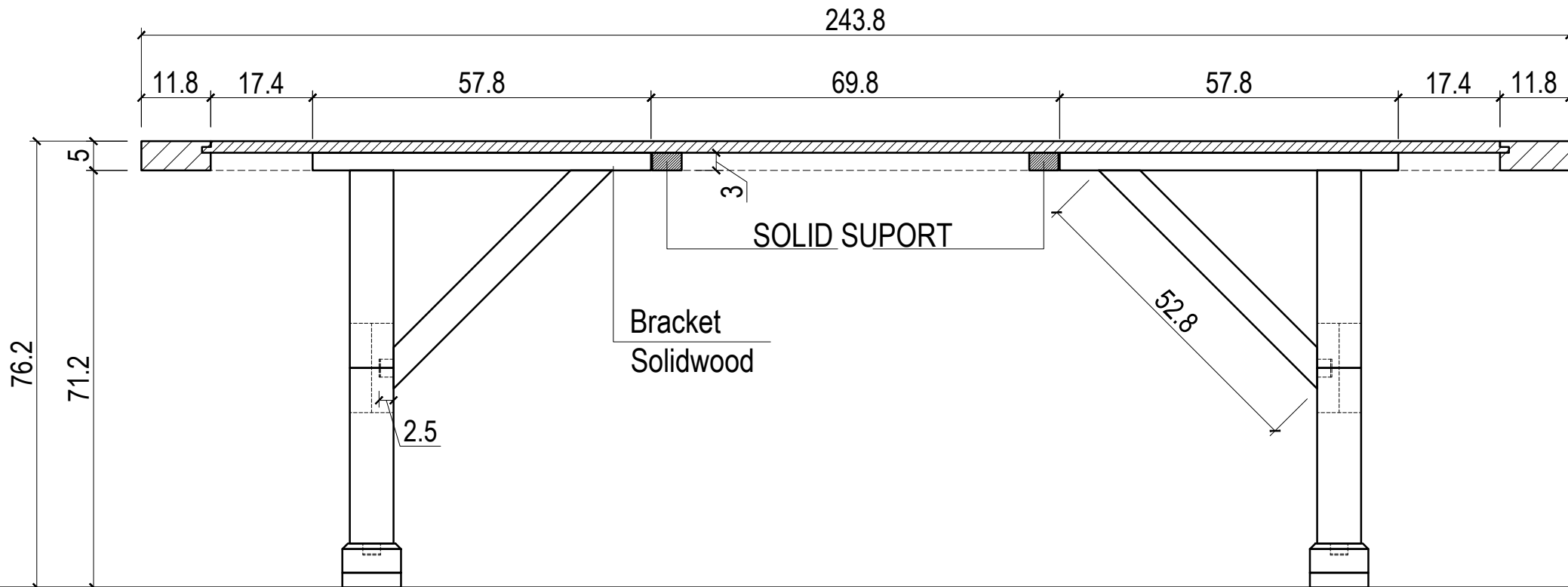
RB CODE/SKU CODE 40872 M1 /6118501	RB DESC MEDIUM TEAK TRESTLE	PRINT DATE NOTE : UPDATE 15-10-2020 DETAILING GAMBAR + CONSTRUCTION UPDATE 30-11-2020 FLOATING HOLE @BRACKET AND SCREW TAPPING	DRAWING BY ARDIYANTO	CHECK BY
DIMENSION 96" X 40" X 30"	SCALE NTS	SHEET 5/6	REVISED BY	
			ELLIND	



SECTION TOP VIEW



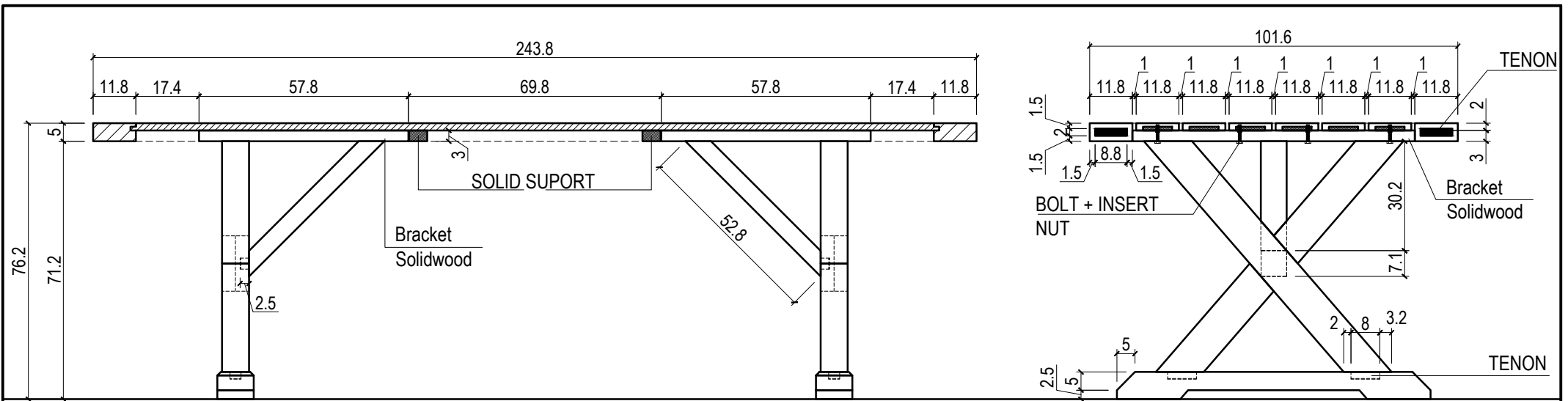
RB CODE/SKU CODE 40872 M1 /6118501	RB DESC MEDIUM TEAK TRESTLE		PRINT DATE NOTE : UPDATE 15-10-2020 DETAILING GAMBAR + CONSTRUCTION UPDATE 30-11-2020 FLOATING HOLE @BRACKET AND SCREW TAPPING		DRAWING BY/CHECK BY ARDIYANTO REVISID BY ELLIND	
	DIMENSION 96" X 40" X 30"	SCALE NTS	SHEET 6/6			



SECTION FRONT VIEW

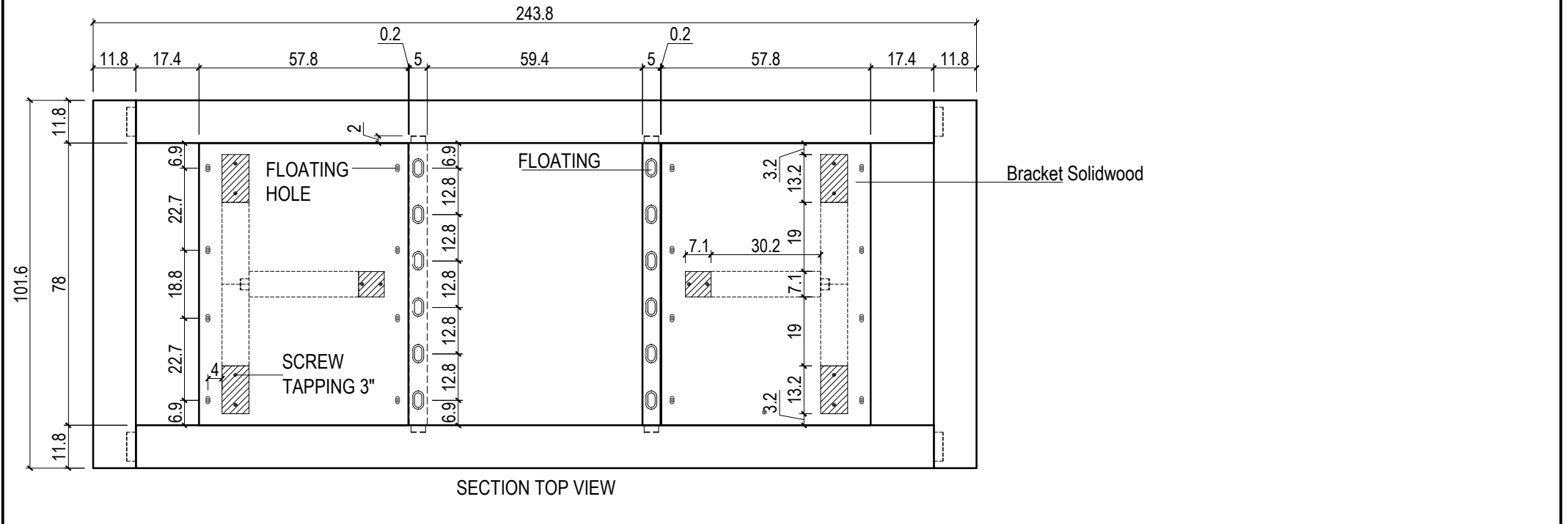


RB CODE/SKU CODE 40872 M1 /6118501	RB DESC MEDIUM TEAK TRESTLE	PRINT DATE NOTE : UPDATE 15-10-2020 DETAILING GAMBAR + CONSTRUCTION UPDATE 30-11-2020 FLOATING HOLE @BRACKET AND SCREW TAPPING	DRAWING BY ARDIYANTO	CHECK BY
DIMENSION 96" X 40" X 30"	SCALE NTS	SHEET 4/6	REVISED BY ELLIND	



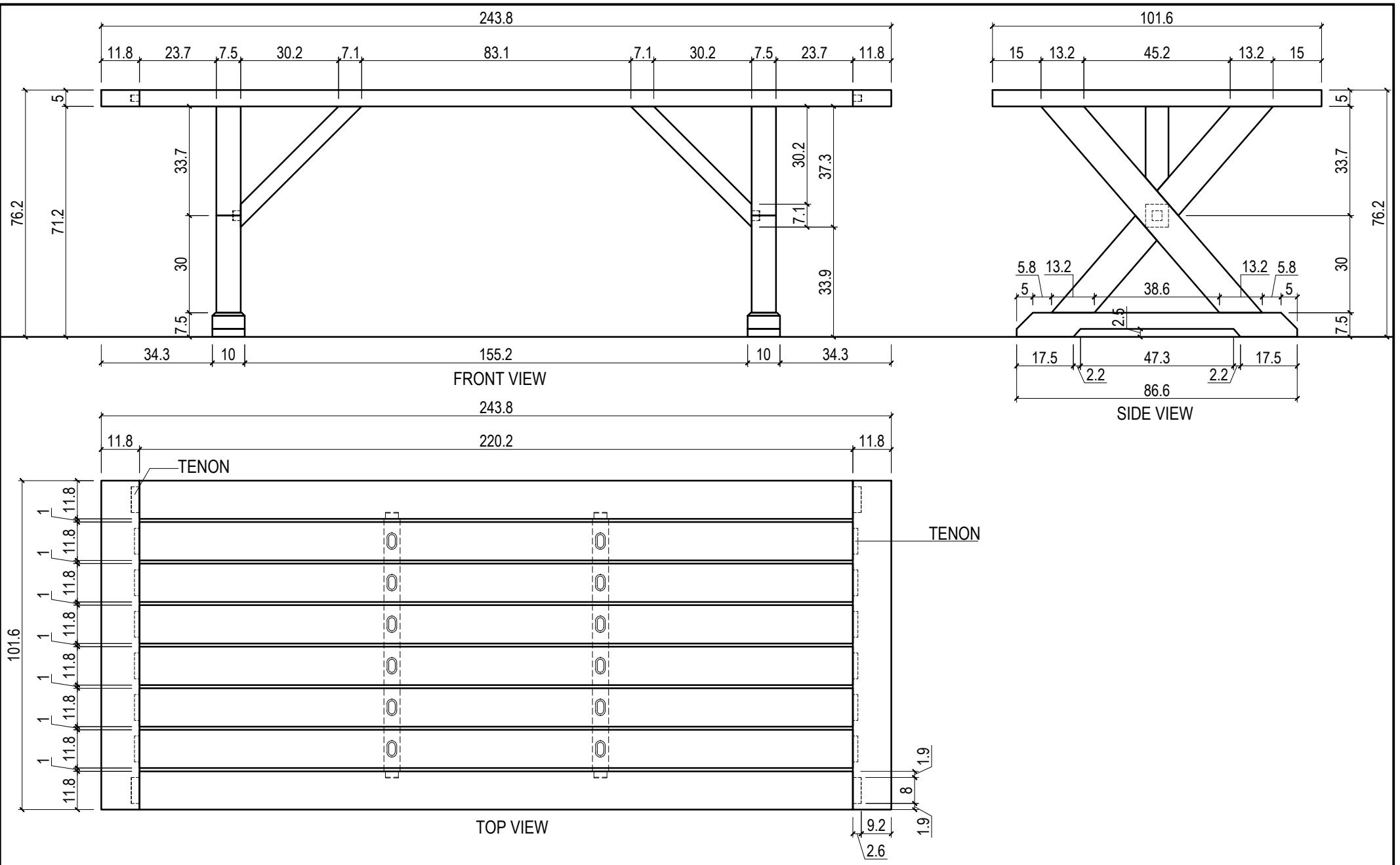
SECTION FRONT VIEW

SECTION SIDE VIEW



SECTION TOP VIEW

	RB CODE/SKU CODE 40872 M1 /6118501	RB DESC MEDIUM TEAK TRESTLE		PRINT DATE	DRAWING BY/CHECK BY
	DIMENSION 96" X 40" X 30"	SCALE NTS	SHEET 3/6	NOTE : UPDATE 15-10-2020 DETAILING GAMBAR + CONSTRUCTION UPDATE 30-11-2020 FLOATING HOLE @BRACKET AND SCREW TAPPING	ARDIYANTO REVISED BY
					ELLIND



	RB CODE/SKU CODE 40872 M1 /6118501	RB DESC MEDIUM TEAK TRESTLE		PRINT DATE	DRAWING BY	CHECK BY	APPROVED BY
	DIMENSION 96" X 40" X 30"	SCALE NTS	SHEET 2/6	NOTE : UPDATE 15-10-2020 DETAILING GAMBAR + CONSTRUCTION UPDATE 30-11-2020 FLOATING HOLE @BRACKET AND SCREW TAPPING	ARDIYANTO REVISED BY		
					ELLIND		



RB CODE/SKU CODE 40872 M1 /6118501	RB DESC MEDIUM TEAK TRESTLE		PRINT DATE <b>NOTE :</b> UPDATE 15-10-2020 DETAILING GAMBAR + CONSTRUCTION UPDATE 30-11-2020 FLOATING HOLE @BRACKET AND SCREW TAPPING		DRAWING BY   CHECK BY ARDIYANTO	
DIMENSION 96" X 40" X 30"	SCALE NTS	SHEET 1/6			REVISED BY ELLIND	