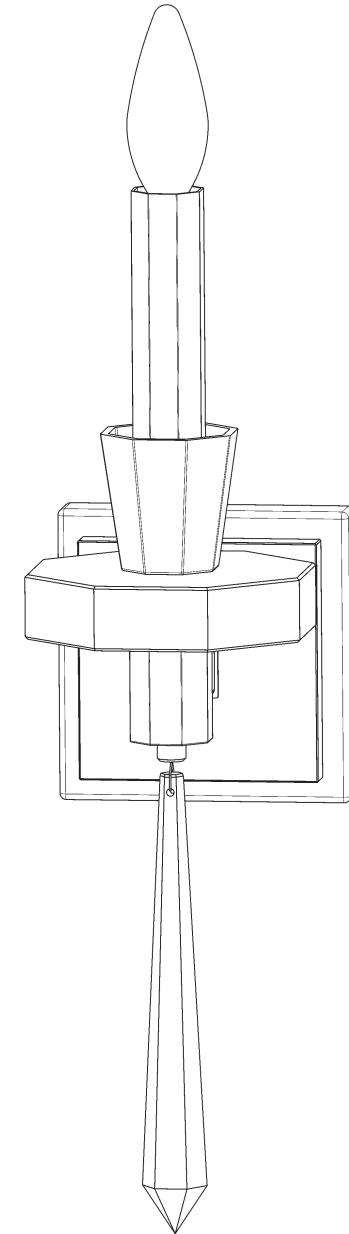


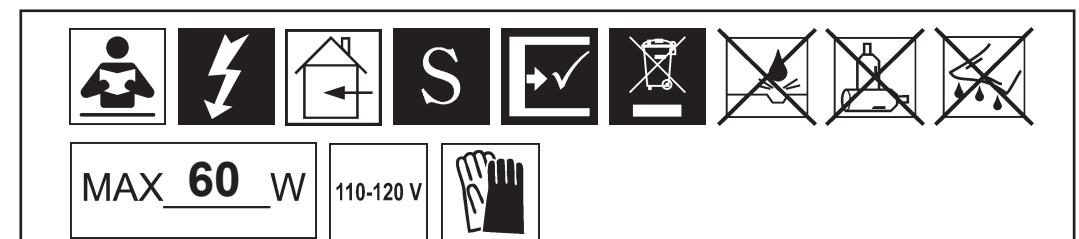
SCHONBEK
*Signature*TM

AMADEUS
S9319- __ __ OH

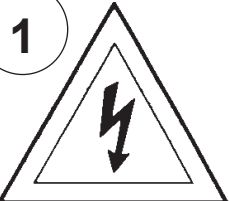


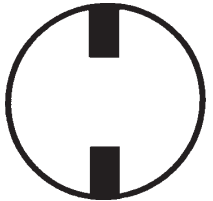
THIS DESIGN IS THE PROPRIETARY
TRADE DRESS/TRADEMARK OF
W SCHONBEK LLC.

SCHONBEK
*Signature*TM

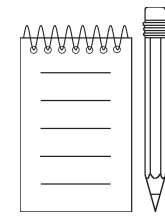
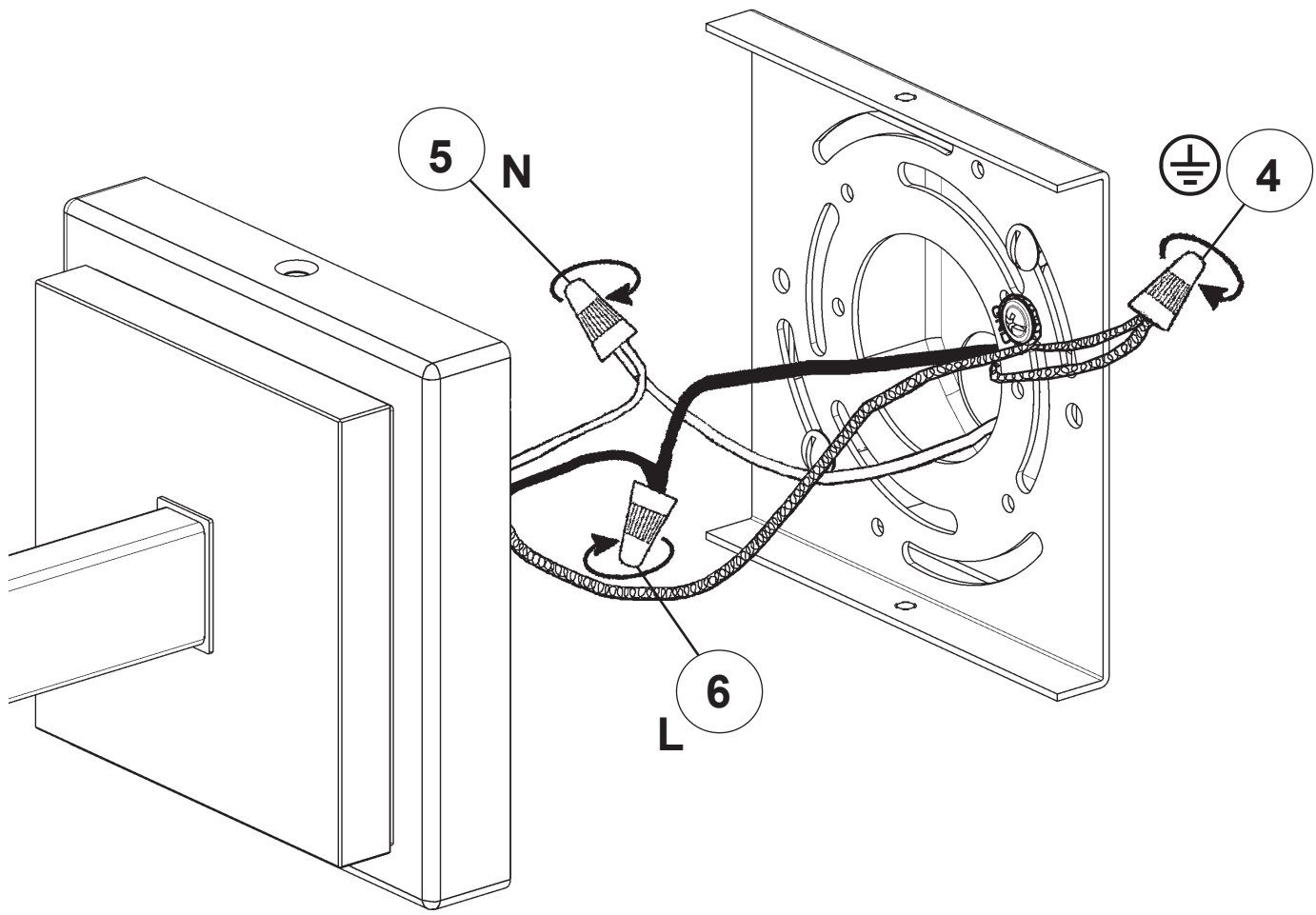
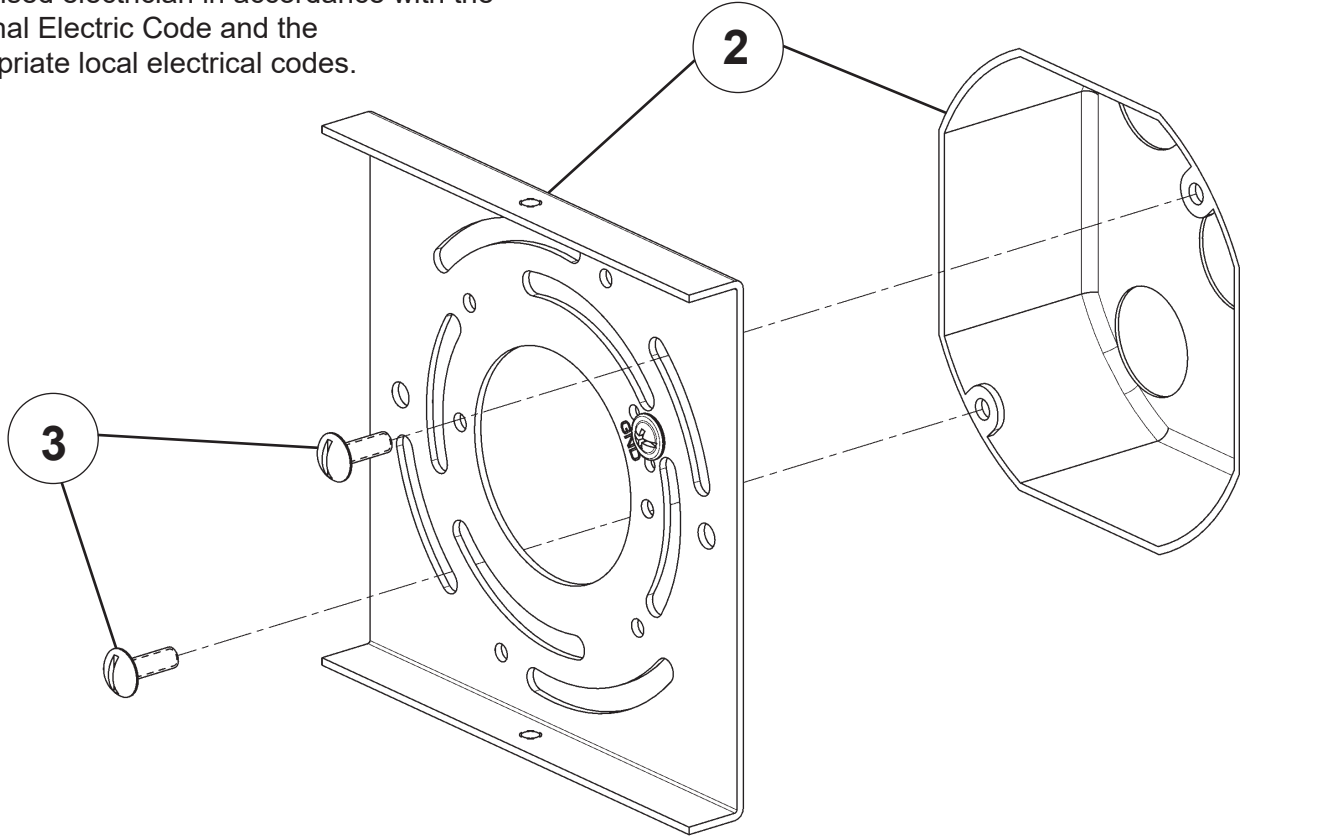


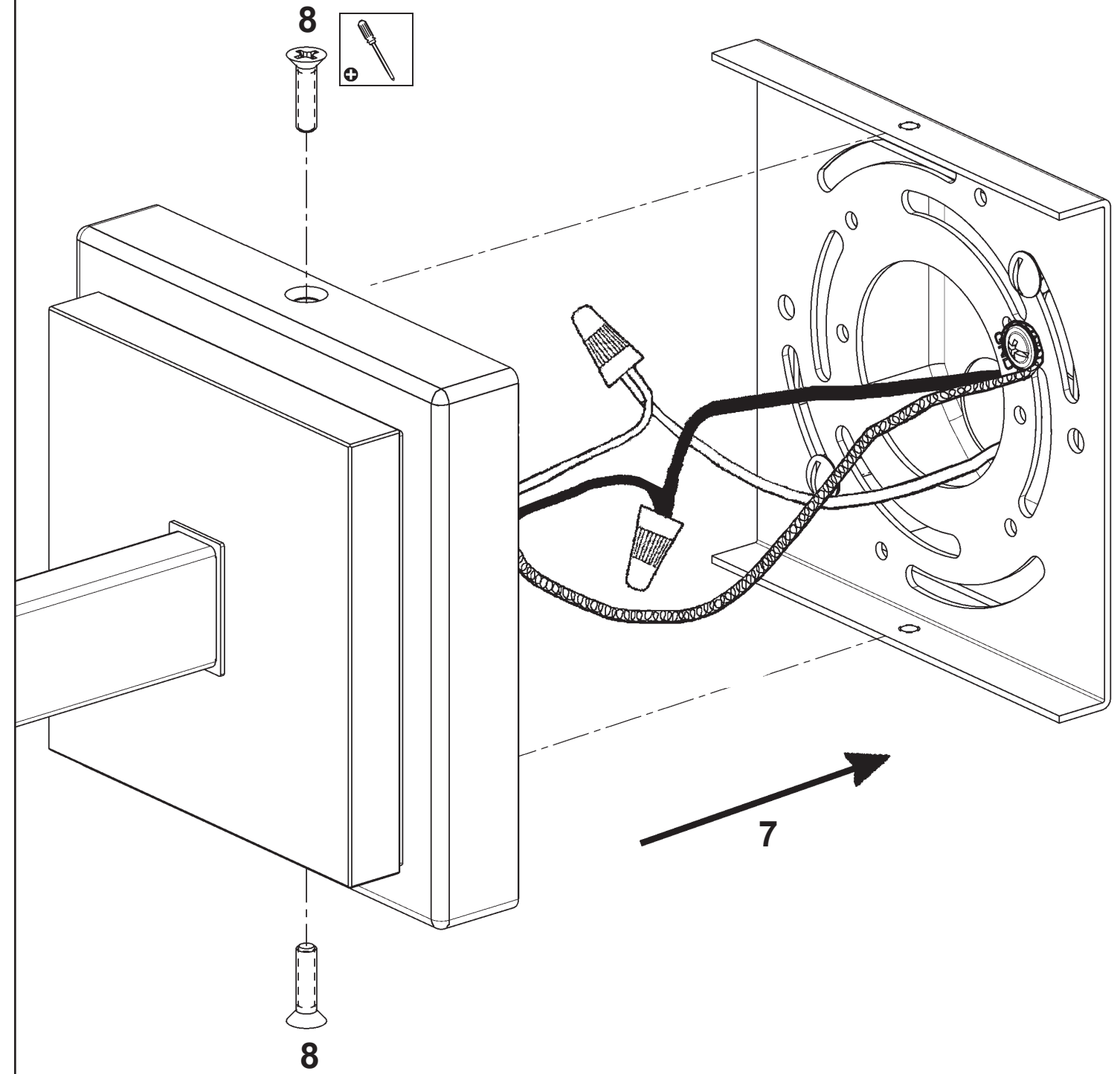
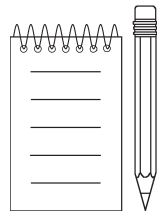
WARNING:

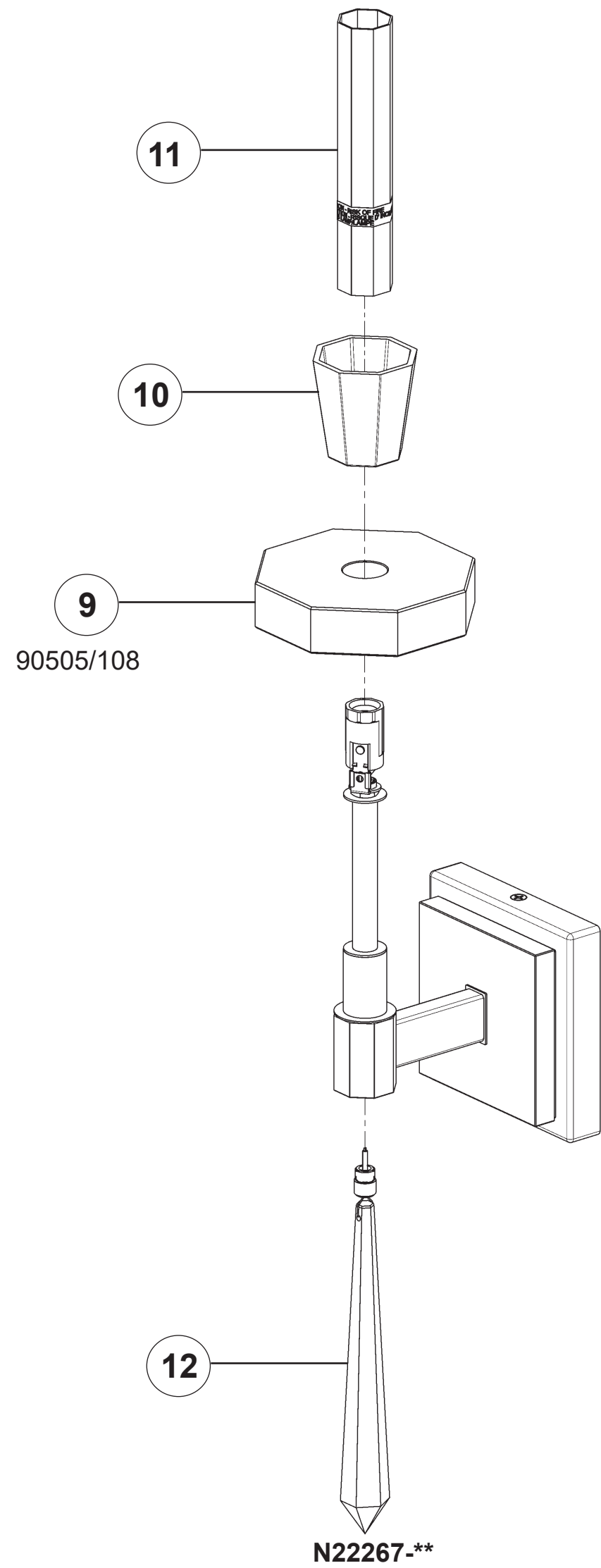
1  **Electrical Danger**

 **Turn Power Off**

All electrical components must be installed by a licensed electrician in accordance with the National Electric Code and the appropriate local electrical codes.







You will need 1 - B10
25 Watts Recommended
60 Watts Max

