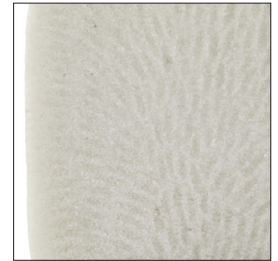
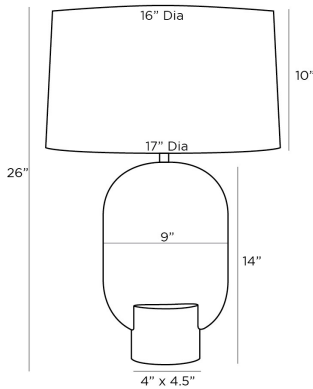


ARTERIOS

SLATER LAMP



49881-598
 H: 26 IN, Dia: 17.00 IN
 Ivory Ricestone Composite
 Contract Suitable As Is

The totemic Slater is imagined in ivory ricestone with a radiating, fossil-inspired design pattern. The sculptural table lamp rests on a bracketed bronze steel base and features a cylindrical bronze finial. An ivory microfiber drum shade lined in white cotton finishes the accent piece. Finish will vary.

APPEARANCE

Material	White Cotton, Microfiber, Ricestone, Steel
Material Type	Composite
Finish	Bronze, Ivory
Finish Will Vary	true
Top Coat/Sealant	true
Finial Description	Bronze Cylinder
Finial Dimension	1"x1" Cylinder

DIMENSIONS

Shade	Top: 16.00 IN, Dia: 17.00 IN, Side: 10 IN
Body	H: 14 IN, W: 9 IN, D: 4.5 IN
Base	H: 4 IN, Dia: 4.50 IN
Neck	H: 1.5 IN, Dia: 0.50 IN
Foot Print	Dia: 4.50 IN
Harp	9" Bronze IN

WIRING

Rating	Indoor Only
Tilt Test	10 Degrees - AU
Cord	10 FT, Back of Lamp Base, Black Cloth, SPT-2
Socket	1, Brass, Type A - E26
Switch	3-Way Rotary, At Socket
Maximum Watt	150
Voltage	110-120 V

CERTIFICATIONS

Certifications	Mexico Australia, United Arab Emirates, United Kingdom, United States, Canada
----------------	--

COMPLIANCY

UL/ETL	Yes
CB	Yes
RoHS	true

SHIPPING

Product Weight	20 LBS
Gross Weight 1	24 LBS
Gross Weight 2	5 LBS
Shipping Box 1	H: 13.38 IN, L: 7.88 IN, W: 22.88 IN
Shipping Box 2	H: 11 IN, L: 18 IN, W: 18 IN

ADDITIONAL INFO

Shade Shape	Round
Shade Trim	Rolled Edges
Shade Type	Hardback

REPLACEMENT PARTS

Replacement Part 1	81006
Replacement Part 1 Dim	1"x1" Cylinder

CONTRACT

Contract Suitable	true
-------------------	------