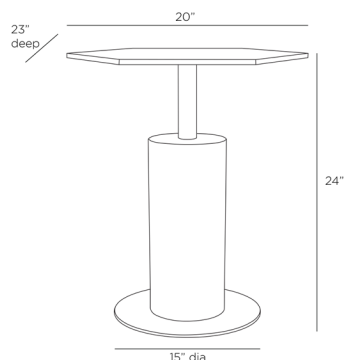


ARTERIOS

WYTHE END TABLE



FEI12

H: 24 IN, W: 20 IN, D: 23 IN

Sedona

Contract Recommendations: Adding a lacquer coating provides additional protection

Natural stone requires periodic sealing

An impressive addition to any living space, our Wythe end table is designed in an inventive mix of geometric forms and materials. The accent piece is composed in a framework of natural iron, with a hexagonal top, disc base, and a post that pierces through a pillar of beautifully veined sedona marble. Finish will vary.

APPEARANCE

Material	Iron, Marble
Finish	Sedona
Finish Will Vary	true
Top Coat/Sealant	false

DIMENSIONS

Foot Print	Dia: 15.00 IN
Clearance	23.5"
Diagonal Dimension	32.5 IN

SHIPPING

Shipping Requirements	TruckShip
Product Weight	113 LBS
Gross Weight 1	121.88 LBS
Shipping Box 1	H: 23 IN, L: 23 IN, W: 28 IN

ADDITIONAL INFO

Leg Or Foot Application	N/A
-------------------------	-----

CONTRACT

Contract Suitable	Adding a lacquer coating provides additional protection, Natural stone requires periodic sealing
-------------------	--