

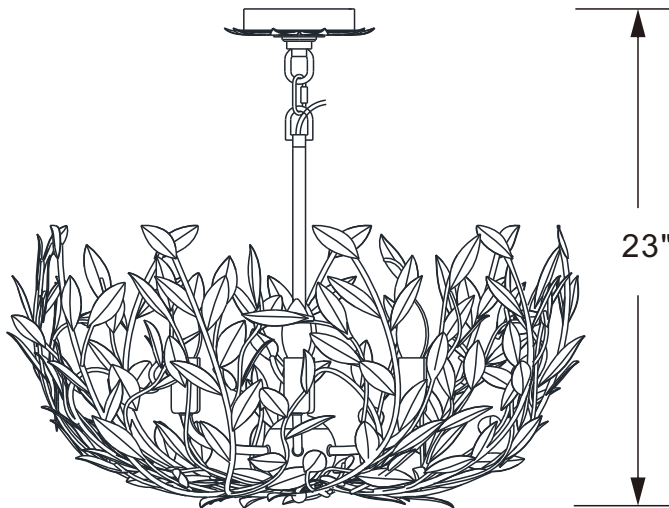
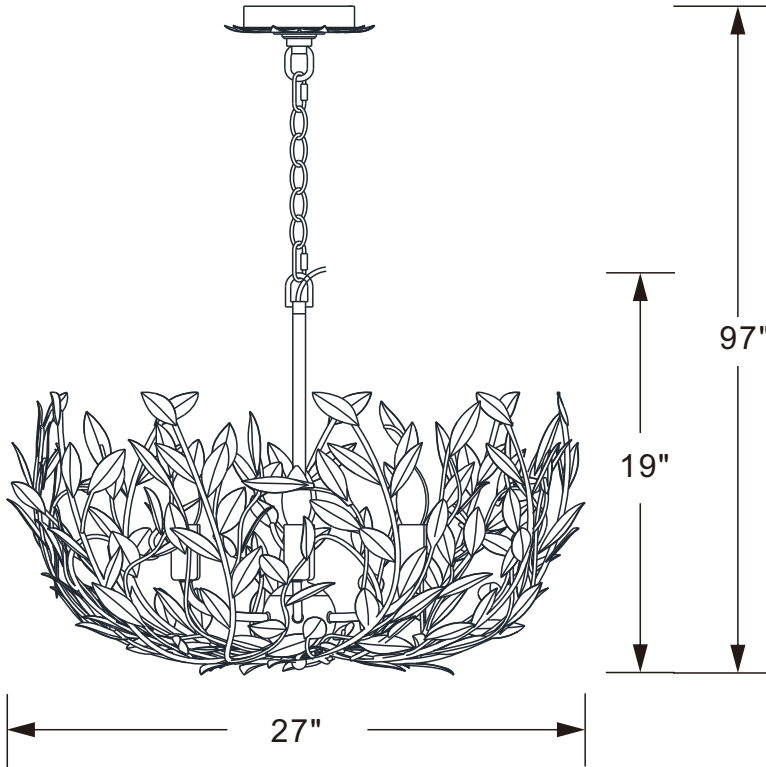
# CRYSTORAMA

LIGHTING THE WAY FOR SIXTY YEARS

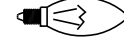


Crystorama.com

## ASSEMBLY INSTRUCTION MODEL # 533-MT



All electrical components must be installed by a licensed electrician in accordance with the National Electric Code and the appropriate local electrical codes.



You will need 6 -Candelabra Base Bulb

40 Watts Recommended 60 Watts Max.

USE LED BULBS FOR EXTENDED USE

THIS FIXTURE IS DAMP RATED

### How to Install

1. Do a complete inventory of all parts and components before you start installation.
2. Attach the center stem assembly onto the light cluster.
3. Decide the preferred hanging height and choose the correct length of chain needed.
4. Hook one end of the chain on to the fixture loop and the other end onto the screw collar loop.
5. Insert recommended bulb (not included).
6. Install the canopy onto the outlet box and secure it with the ball nuts.

**WARNING:** This product can expose you to Lead, which is known to the State of California to cause cancer and/or birth defects or reproductive harm. For more information go to [www.P65Warnings.ca.gov](http://www.P65Warnings.ca.gov).

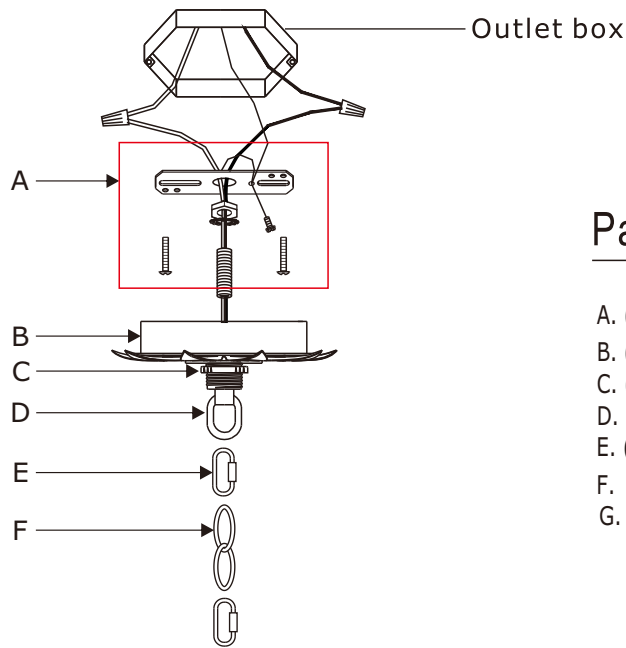
# CRYSTORAMA

LIGHTING THE WAY FOR SIXTY YEARS



Crystorama.com

**PART NUMBER MODEL # 533-MT**



## Part Number

- A. (1) - Mounting Hardware
- B. (1) - Canopy(W5",H1") #XRE533MTCAN5IN
- C. (1) - Collar Ring
- D. (1) - Collar Loop
- E. (2) - Quick Link
- F. (1) - Hanging Chain(72",4mm) #XRE504MTCHA4MM
- G. (1) - Center Stem(15.9mm, 12") #XRE533MTSTEM12IN

