

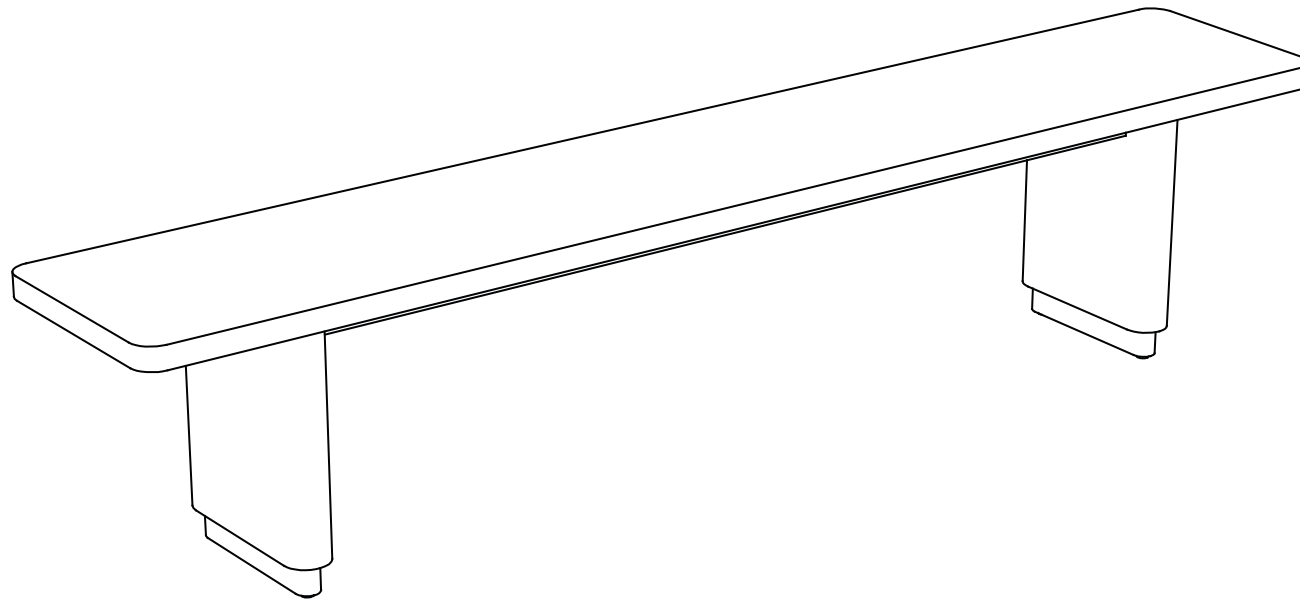
# MOE'S

home collection

## ASSEMBLY INSTRUCTIONS

ROUND OFF DINING BENCH LARGE WALNUT

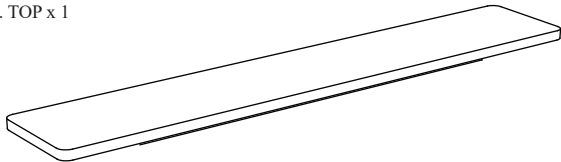
YR-1012-03



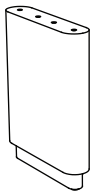
THANK YOU FOR YOUR PURCHASE !

## PARTS AND HARDWARE .

1. TOP x 1



2. LEG x 2



3. SEMI TOP x 2



A. BOLT (M8x15MM) x 8PCS



B. BOLT (M8x45MM) x 2PCS



C. BOLT (M8x15MM) x 8PCS



D. LOCK WASHER x 2PCS



E. FLATS (M8x50MM) x 2PCS



F. ALLEN KEY M4 x 1PCS



G. ALLEN KEY M5 x 1PCS

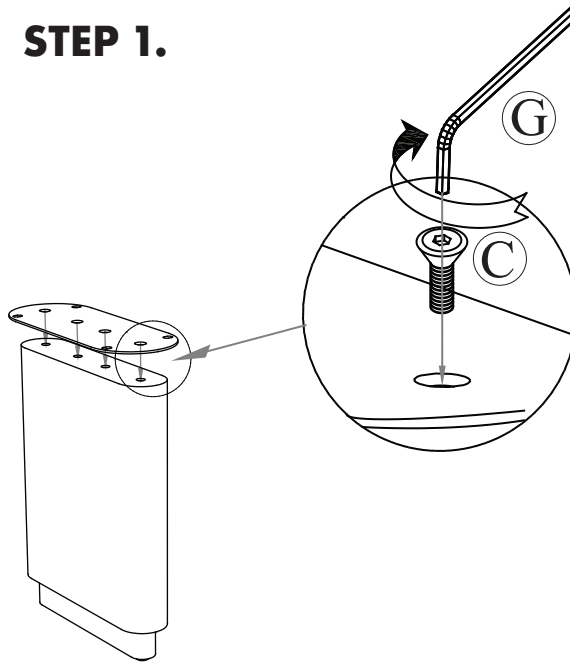


## NOTES.

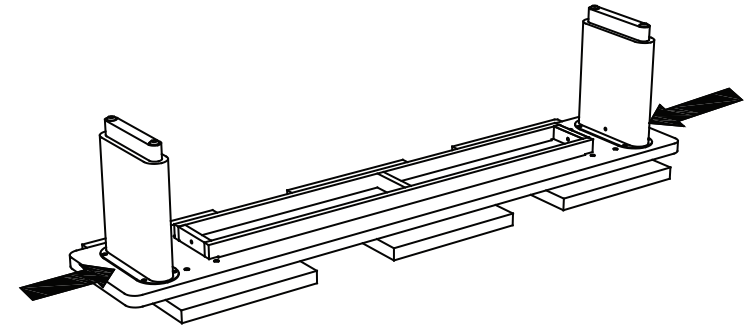
Thank you for purchasing this quality product !  
Be sure to check all packing material carefully for small part that may have come loose inside the carton during shipping.

**CAUTION:** The item is heavy, assembly should be performed by two people.

## STEP 1.



## STEP 2.



## STEP 3.

