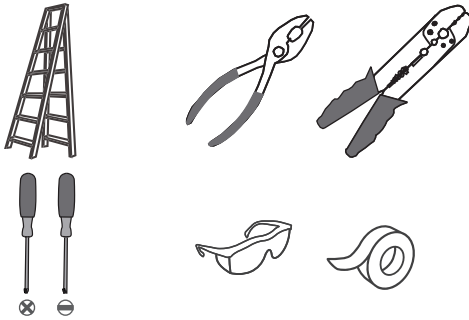
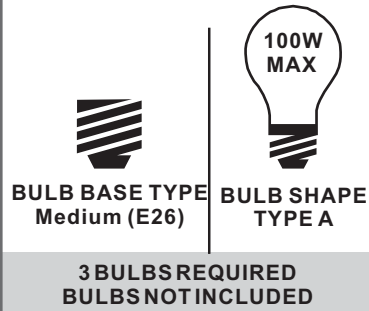


Tools Required



Light Source



Warnings and Cautions

Turn off the electricity at the circuit breaker before installation. Consult a licensed electrician if in doubt about installation.

Turn off power to the fixture and allow the bulbs to cool before replacing.

Package Contents

Preparation: Identify and inspect all parts before beginning the installation.

Missing or damaged parts? Contact your original place of purchase.

PARTS BAG

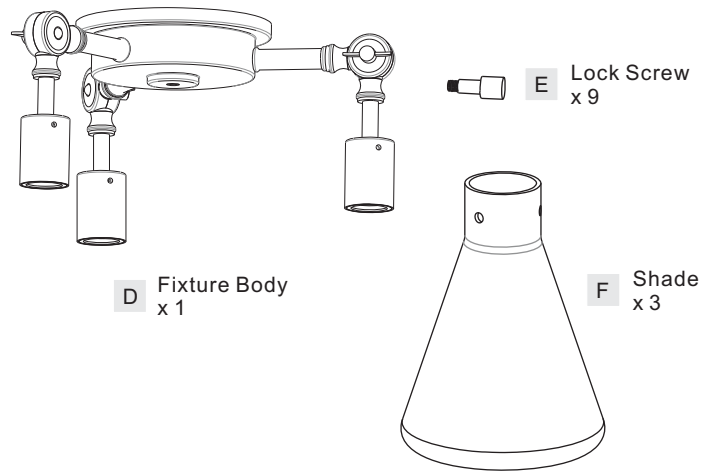
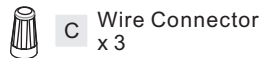
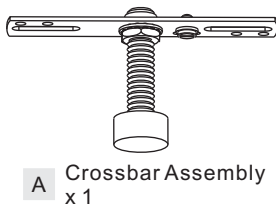


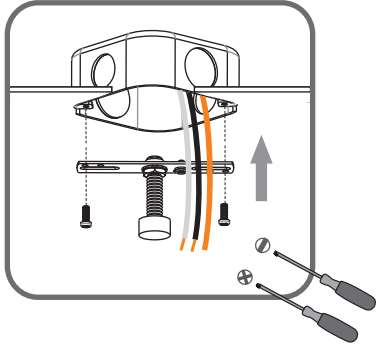
Table of Contents

Crossbar Assembly	Wiring	Fixture Body	Shade	Bulb	Adjust Shade
STEP 1	STEP 2	STEP 3	STEP 4	STEP 5	STEP 6

STEP 1

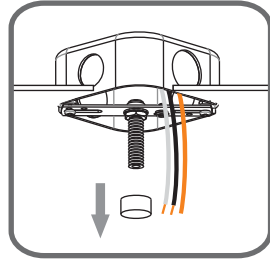
1

Step 1
Install crossbar assembly

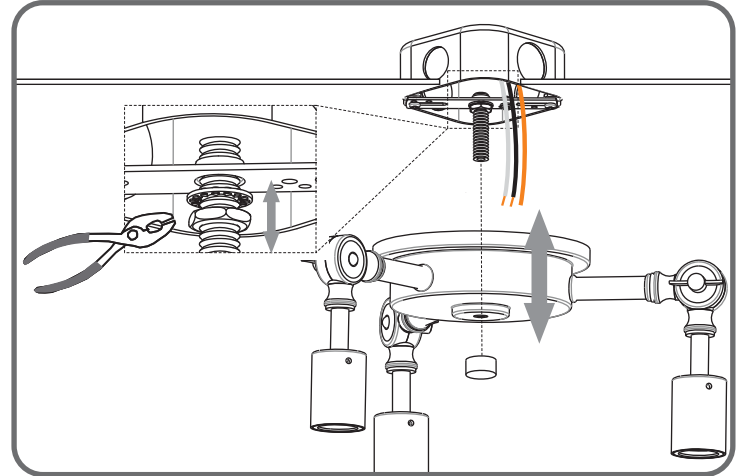


2

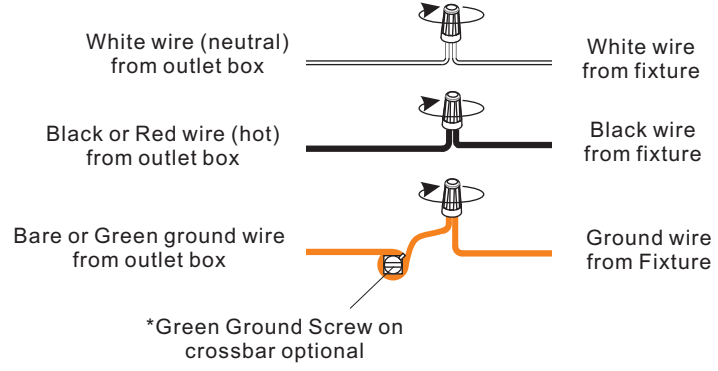
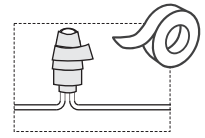
Step 2 - 3
Test fitting ceiling canopy to nipple



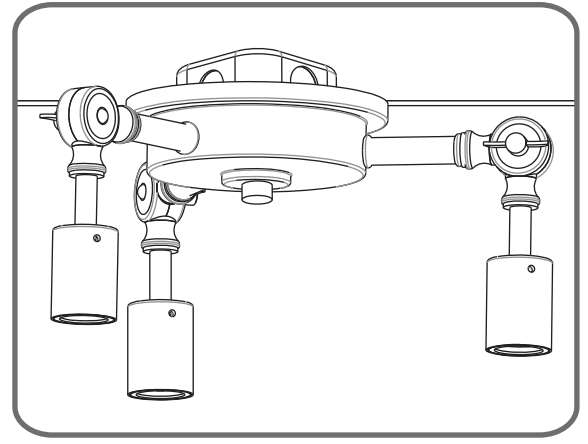
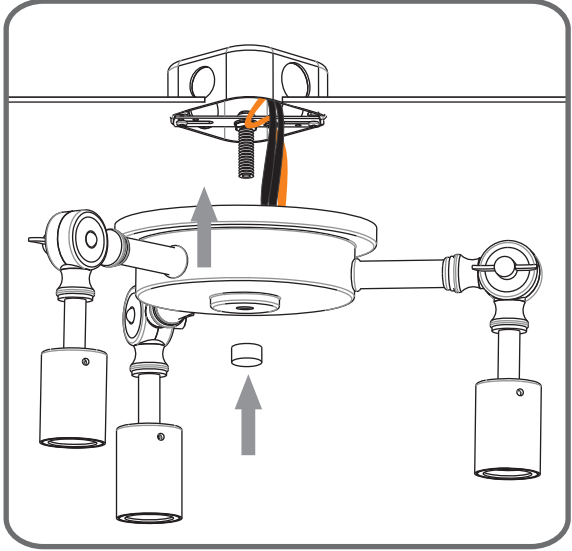
3



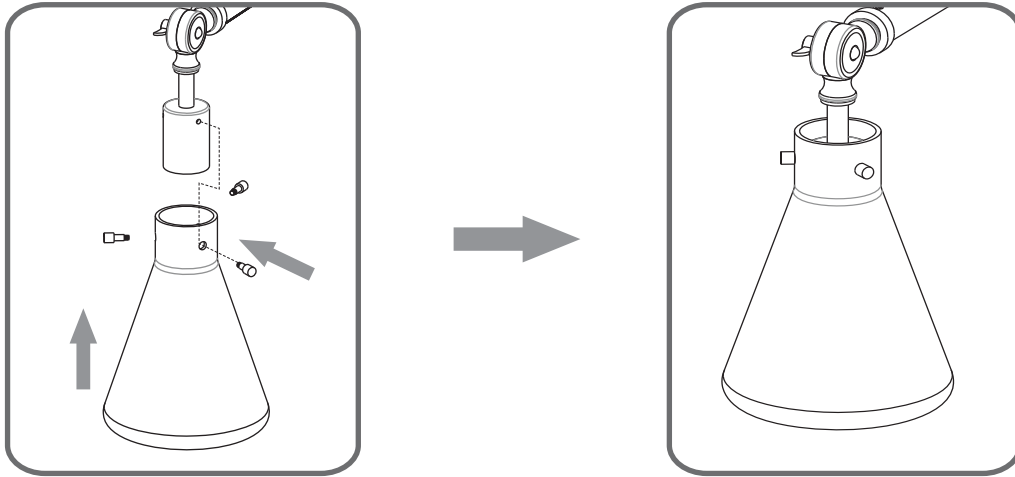
STEP 2



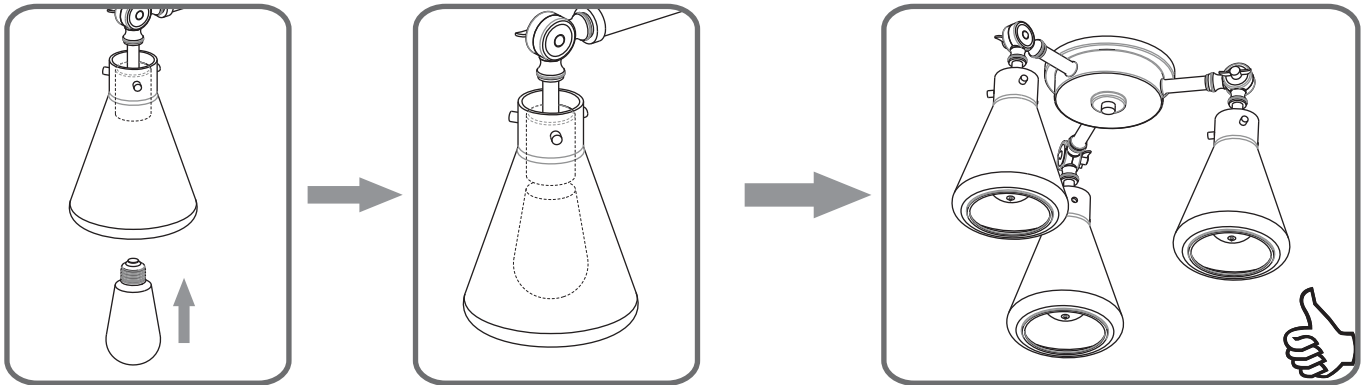
STEP 3



STEP 4



STEP 5



STEP 6 - Optional

Note: The swivel has limited travel to keep the bulb a safe distance from the ceiling.

