

Model No :: **20416-BS/OPL**  
 Name :: **Artemis**



Project Name :: \_\_\_\_\_  
 Location :: \_\_\_\_\_  
 Type :: \_\_\_\_\_  
 Quantity :: \_\_\_\_\_  
 Notes :: \_\_\_\_\_

**Product Information**

Product ID :: 20416  
 UPC Code :: 641594001846  
 Mounting Type :: Wall  
 Finish :: Brushed Steel (BS)  
 Diffuser :: Opal (OPL)  
 Alt. Finishes :: N/A  
 Alt. Diffusers :: N/A

**Product Dimensions**

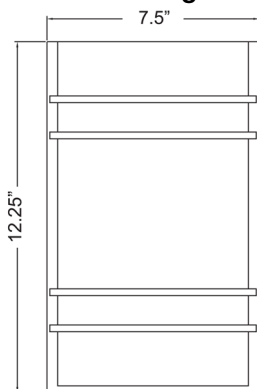
Fixture	Canopy
Length :: N/A	Length :: 12.25"
Width :: 7.5"	Width :: 7.5"
Diameter :: N/A	Diameter :: N/A
Extension :: 4"	Height :: 0.5"
Height :: 12.25"	Overall Height :: N/A Max.



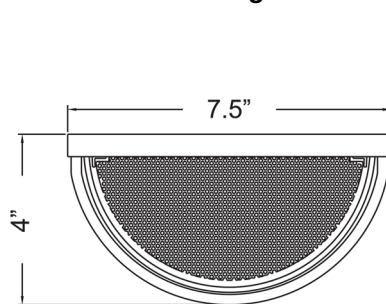
**Technical Specifications**

Qualifications	Specifications	Photometrics	Recommended Dimmers
Location Rating :: Dry	Frame Material :: Steel	CCT :: 2700	(TRIAC) Any Standard Dimmer
Certification :: cULus	Diffuser Material :: Glass	CRI :: N/A	
IES File :: No	Voltage :: 120v	Wattage :: 120 W	
JA8 Compliant :: No	Lamping Type :: Incandescent	Nominal Lumens :: 1600	
Title 20 Compliant :: N/A	Lamping Base :: E-26	Delivered Lumens :: N/A	
Energy Star :: No	Lamp Quantity :: 2	<b>Custom Options :: N/A; Additional Items :: N/A</b>	
ADA Compliant :: Yes	Lamp Wattage :: 60 W		
Marine Grade :: No	Total Wattage :: 120 W		
Emergency Lighting :: No	Lamps Included :: No		
Warranty :: 1 Year Limited	J-Box Type :: Standard		

**Line Drawing #1**



**Line Drawing #2**



**IES File**

Image Not Available

**Toll Free 800-828-5483 or www.AccessLighting.com**

14410 Myford Road, Irvine, CA 92606

The information provided is subject to change without notice. ©2018 Access Lighting Corporation. All Rights Reserved  
 Rev. 201902 Filename: 20416-BS\_OPL.pdf

