

Assembly Instruction Sheet #IS-1227P34 For Style 1227P34

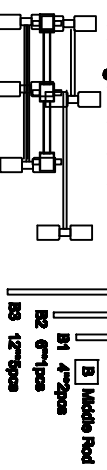
Tools Required: Flathead screwdriver, Phillips screwdriver, pliers, wire cutters, wire strippers, electrical tape, safety glasses.

Light Source: (12) E26 Base Bulb (not included)
Estimated Assembly Time: 15-30 minutes
Preparation: Identify and inspect all parts before beginning installation. Check package content list and diagrams before to be sure all parts are present. If any parts are missing or damaged, do not attempt to assemble, install, or operate the fixture. Contact customer service for replacement parts.

⚠ Warnings and Cautions

Turn off electricity at circuit breaker or main fuse box before installation. Consult a licensed electrician if in doubt. These instructions are provided for your safety. It is very important you read them completely before installing the fixture. We strongly recommend that a licensed, professional electrician perform the installation. Disconnect fixture from power source before replacing bulbs. Make sure bulbs are given sufficient time to cool before removal.

Package Contents



A Fixture Body x1



C Ceiling Canopy X1

Hardware Contents		
PART	DESCRIPTION	QUANTITY
B8	Wire nut	2pcs
CC	Outlet Box Screw	2pcs



STEP 1 - Release Crossbar from Ceiling Canopy.

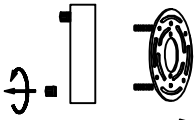


Figure 1

STEP 2 - Install Arm.

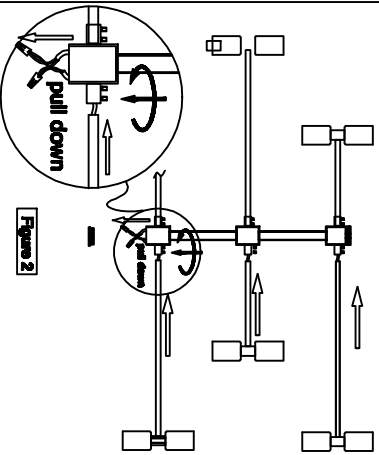


Figure 2

STEP 3 - Install Mounting Rod Ceiling Canopy to Fixture Body.

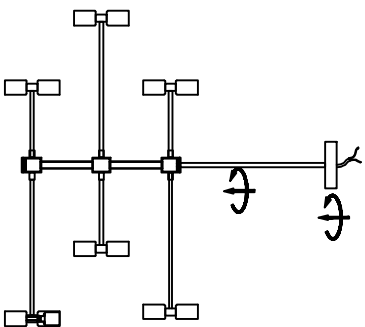


Figure 3

STEP 4 - Attach Mounting bracket to Outlet Box
 Attach the supply wires through the Mounting bracket (B3) with the head of the Green Ground Screw facing you. Secure it with Outlet Box Screws. Tighten until snug.

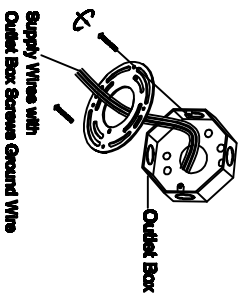


Figure 4

STEP 5 - Wire Connections
 Allow standard wire connectors to make all wire connections. Twist connectors until wires are tightly joined together. Wrap each connection with approved electrical tape and carefully stuff all the connected wires into the Outlet Box.

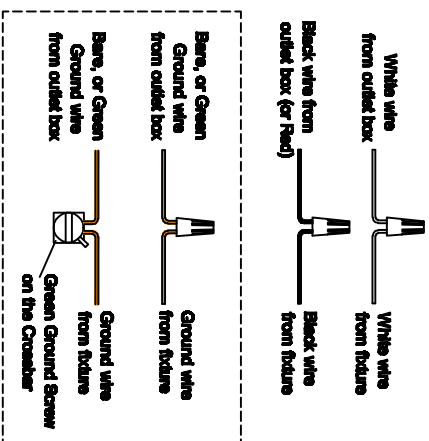


Figure 5

STEP 6 - Install bulb

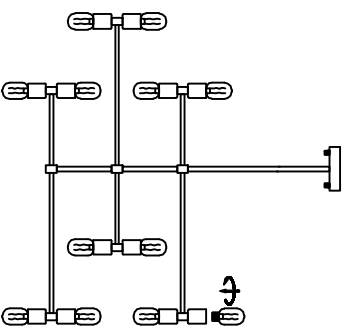


Figure 6