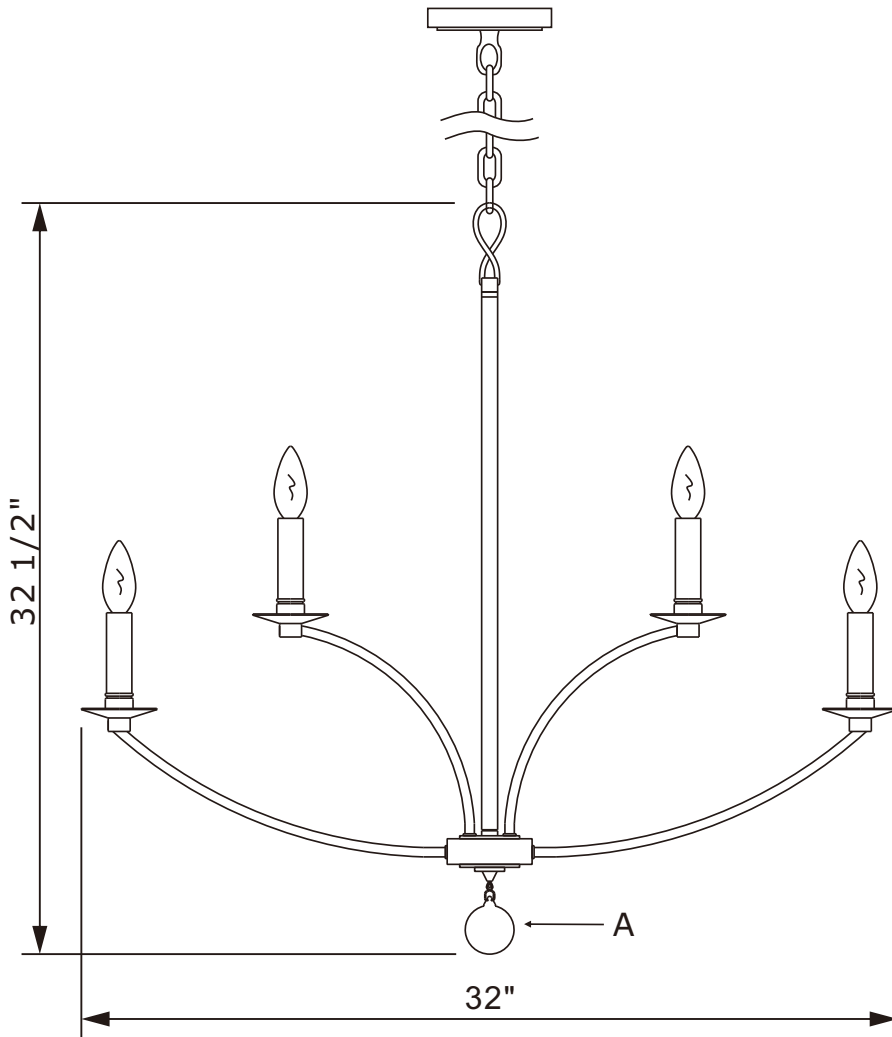


# CRYSTORAMA

LIGHTING THE WAY FOR SIXTY YEARS

## ASSEMBLY INSTRUCTION MODEL #MIL-8012-PN



All electrical components must be installed by a licensed electrician in accordance with the National Electric Code and the appropriate local electrical codes.



You will need 12-Candelabra Base Bulb  
40 Watts recommended 60Watts Max.  
USE LED BULBS FOR EXTENDED USE

The fixture is Damp rated.

### How to Install

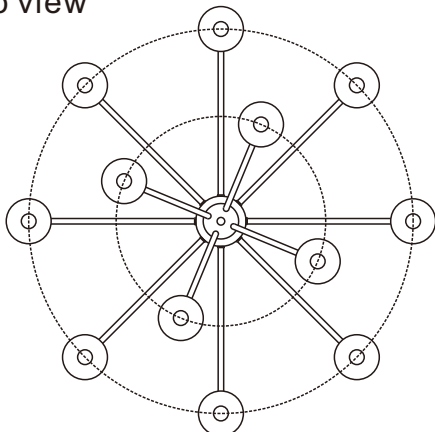
1. Pass the wire through the rod then screw the rod onto the frame.
2. Decide the desired hanging height and choose the correct length of chain.
3. Install the mounting strap onto the outlet box using two outlet box screws.
4. Attach the canopy onto the mounting strap.
5. Screw the glass ball onto the bottom of finial.

### Crystal Sets

- A. 1 Piece. (1)Smooth glass Ball-2"

### DETAILED ILLUSTRATION

Top view



**WARNING:** This product can expose you to Lead, which is known to the State of California to cause cancer and/or birth defects or reproductive harm. For more information go to [www.P65warnings.ca.gov](http://www.P65warnings.ca.gov)

# CRYSTORAMA

LIGHTING THE WAY FOR SIXTY YEARS

PART NUMBER MODEL #MIL-8012-PN

## Part Number

### Part Numbers

- A. (2)-Wire Connector
- B. (1)-Mounting Bar
- C. (1)-Lock Washer
- D. (1)-Hex Nut
- E. (1)-Nipple
- F. (1)-Canopy (W5"xH1")  
-XSN8005PNCAN5IN
- G. (1)-Collar Ring
- H. (1)-Collar Loop
- I. (1)-Chain (4mmx72")  
-XSN8005PNCHA
- J. (1)-Loop;H3.5"
- K. (1)-Rod;H23 3/4"  
-XSN8012PNROD23.75IN
- L. (12)-Candle Sleeve;H3 1/4"  
-XSN8005PNCDL3.25IN
- M. (4)-Upper Arms-XSN8012PNARM
- N. (8)-Lower Arms-XSN8012PNLARM
- O. (1)-Finial-XSN8005PNFIN

