

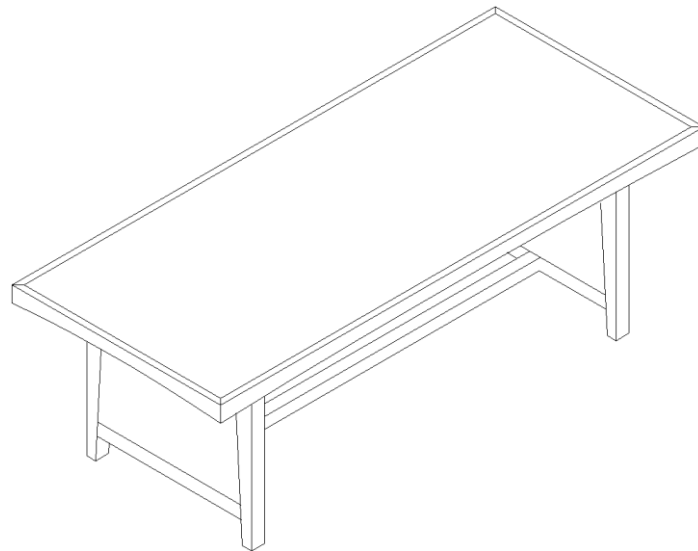
MOE'S

home collection

ASSEMBLY INSTRUCTIONS.










HARRINGTON DINING TABLE

VL-1070-24



THANK YOU FOR YOUR PURCHASE!

PARTS AND HARDWARE.

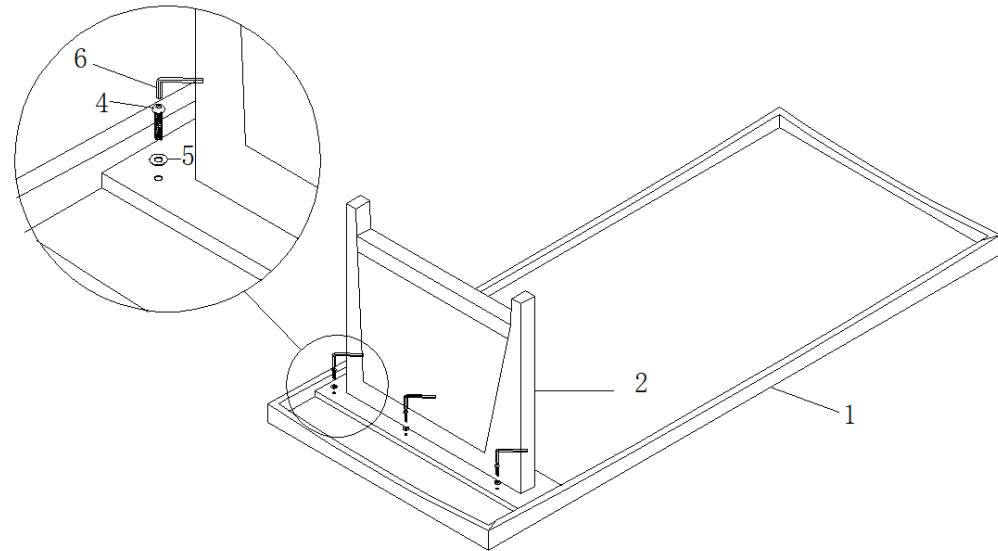
NO	DESCRIPTION	IMAGE	QTY
①	BODY		1
②	LEGS		2
③	LEGS		1
④	BOLT M8x35		12
⑤	FLAT WASHER φ8-16		12
⑥	ALLEN KEY		1
⑦	SCREW		2
⑧	NUT		2
⑨	SPANNER		1

NOTES.

Thank you for purchasing this quality product! Be sure to check all packing material carefully for small part that may have come loose inside the carton during shipping.

Caution: The item is heavy, assembly should be performed by two people.

STEP 1.



STEP 2.

