



# CAL LIGHTING

3625 E. Philadelphia St. Ontario CA. 91761 • Tel: 909.947.5200 • Fax:  
909.947.5673 • www.calighting.com • service@calighting.com •  
Specifications subject to change without notice

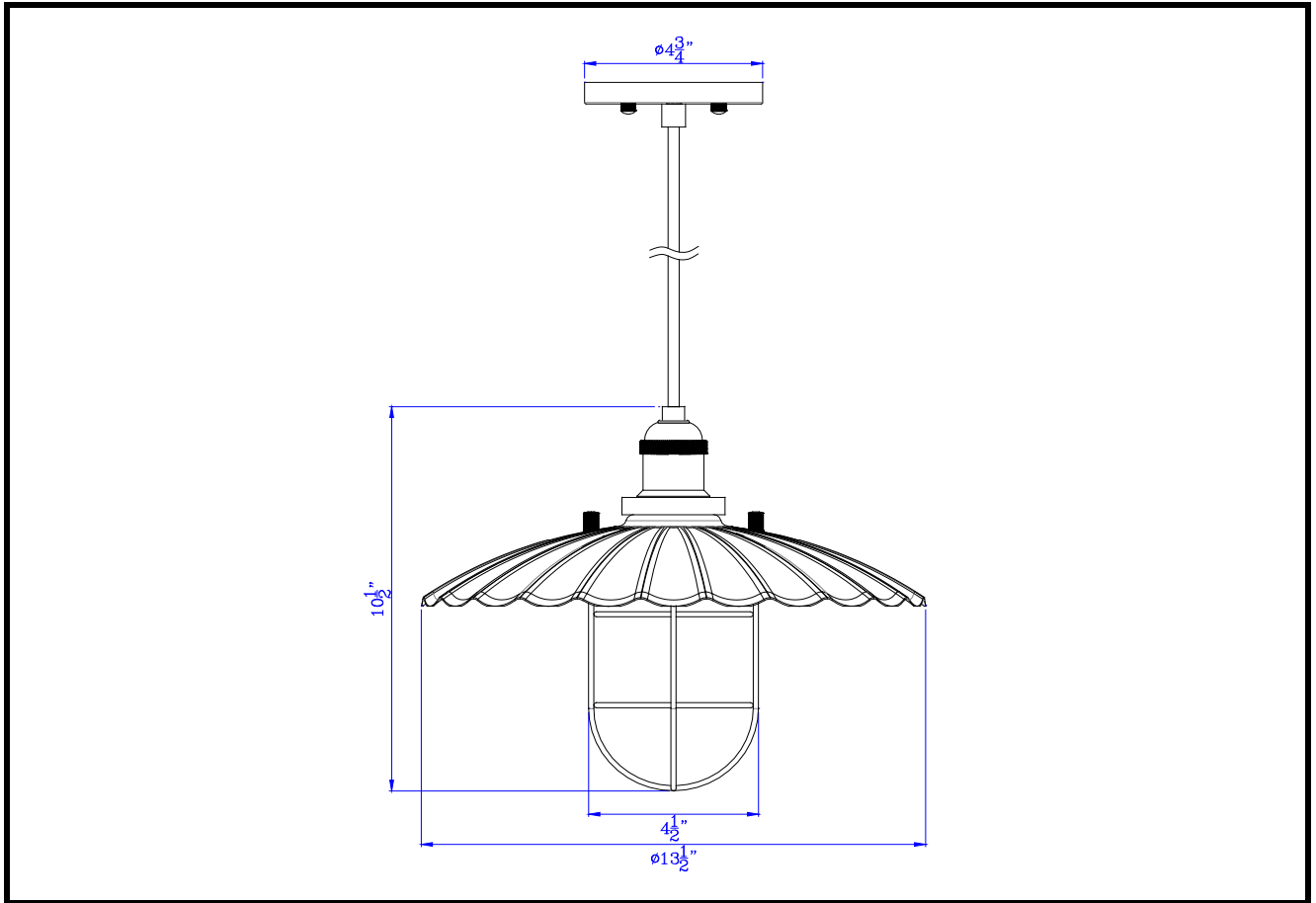
Type: \_\_\_\_\_

Project: \_\_\_\_\_

Catalog No.: \_\_\_\_\_

Lamp/Wattage: \_\_\_\_\_

## Drawing:



- Model No:** FX-3725-1P  
**Description:** Olive old industrial metal pendant with glass shield (Edison bulb NOT included)  
**Material:** Metal  
**Finish :** Rust  
**Height:** 10 1/2"  
**Width:** 13 1/2"  
**Reach:** 13 1/2"  
**Wattage :** 60W  
**Socket :** Medium Base ( E26 )  
**Bulb:** Incandescent or CFL  
**Chain Length:**  
**Wire Length:** 6'  
**Wire Color:** Brown  
**Shade No:**  
**Material:**  
**Shade size:**  
**Certificate :**

